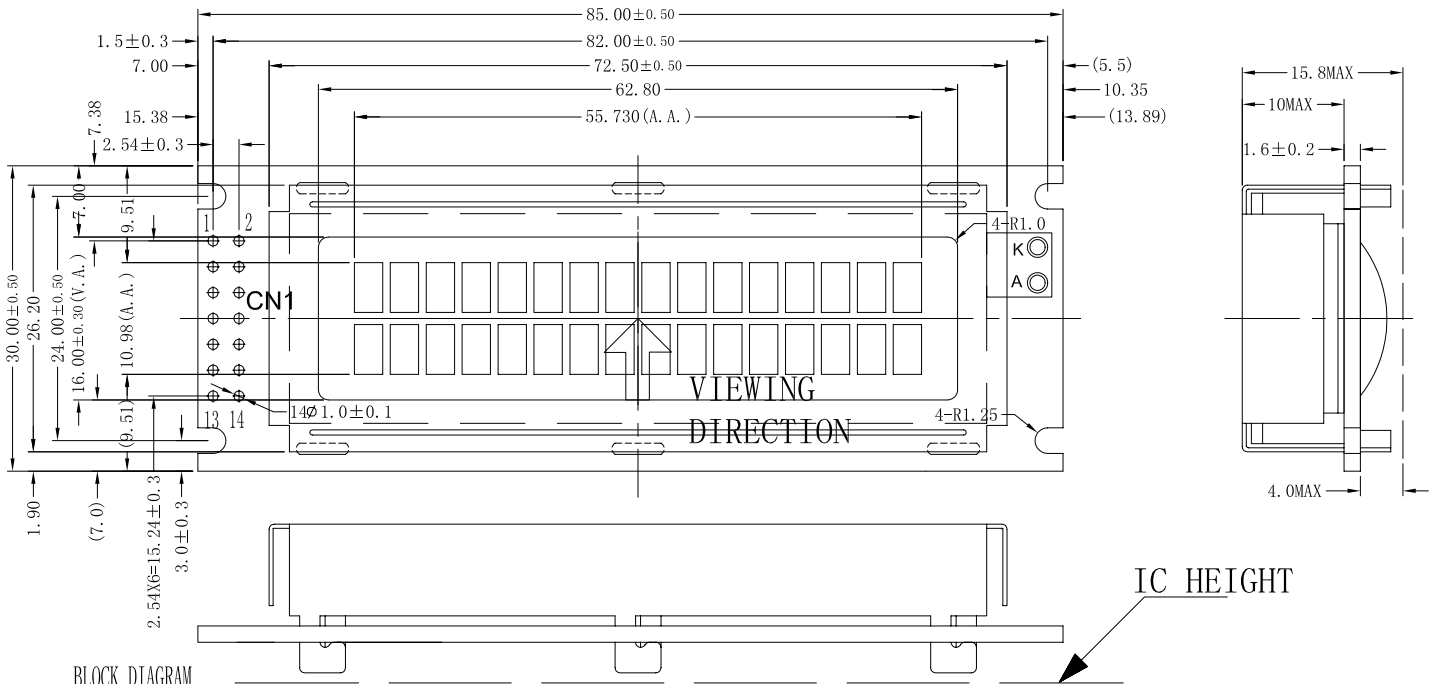


NO.	CONTENT	DATE
A	First issue.	2005.04.05
B		
C		
D		

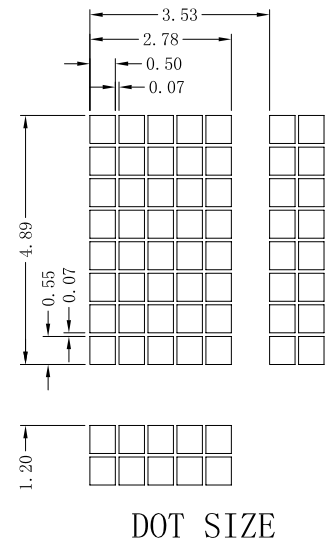
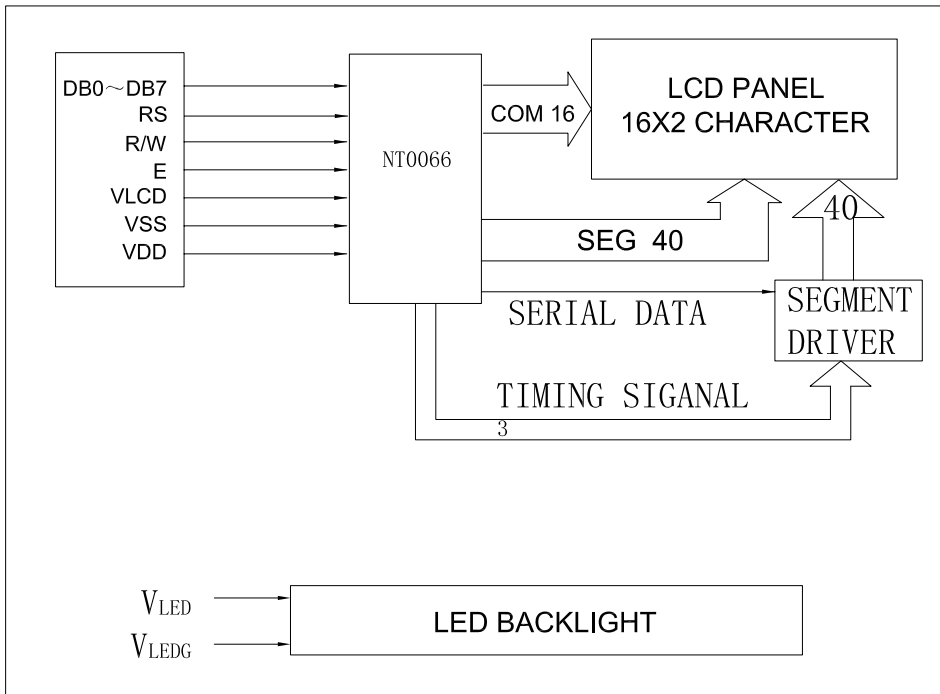
MODEL NO:
EXTERNAL DIMENSIONS



BLOCK DIAGRAM

CN1

Pin No.	1	2	3	4	5	6	7	8	9	10	11	12	13	14
Symbol	DB7	DB6	DB5	DB4	DB3	DB2	DB1	DB0	E	R/W	RS	VLCD	VSS	VDD



NOTES:

- Operating Temperature -20°C TO $+70^{\circ}\text{C}$
Storage Temperature -40°C TO $+80^{\circ}\text{C}$
- STN/GREY /TRANSFLECTIVE