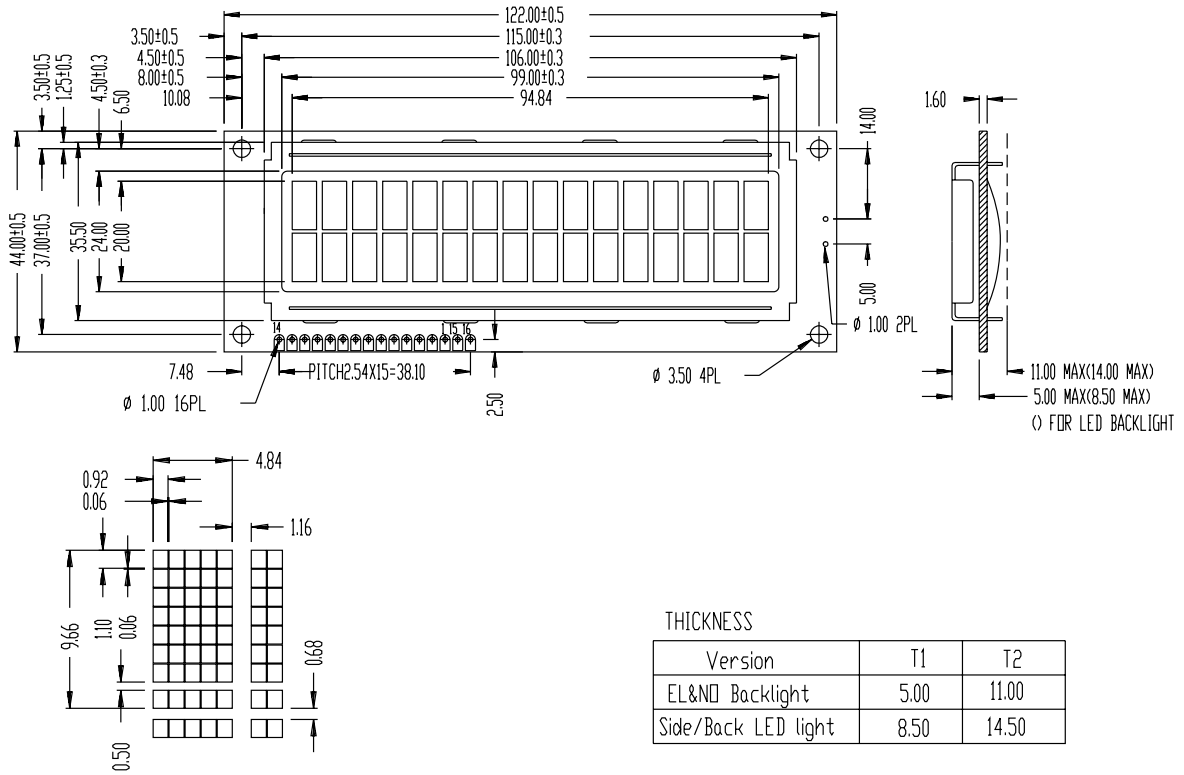


MC162-3

EXTERNAL DIMENSIONS :



BLOCK DIAGRAM :

1	2	3	4	5	6	7	8	9	10	11	12	13	14	15	16
GND	VDD	VO	RS	R/W	E	DB0	DB1	DB2	DB3	DB4	DB5	DB6	DB7	LED+	LED-

