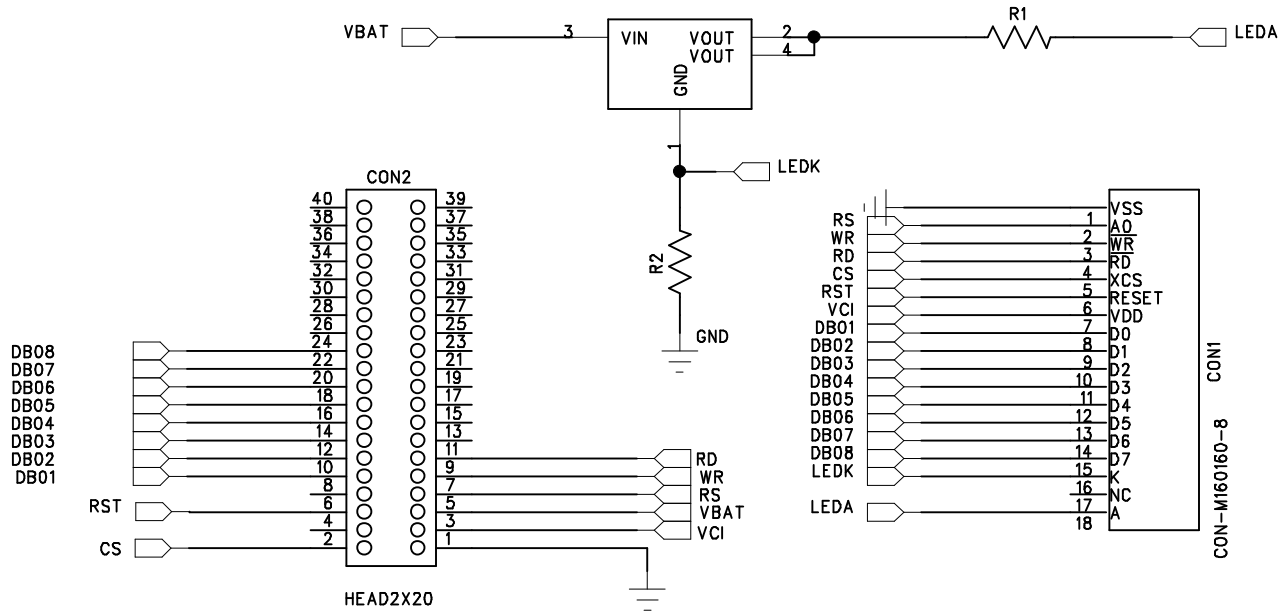


REVISION RECORD			
Version	Contents	APPROVED:	DATE:
A	First Release	NAME	Sep.25,2006



TRULY SEMICONDUCTORS LIMITED R&D Center DISPLAY MODULE R&D DEPARTMENT

PRODUCT No. T-MG160160-8-A

Assemblage No. T-MG160160-8-A1-1

DRAWN:PENGL	DATED:Sep.11,2007	DRAWING NO:	
CHECKED:ZHUJINBAO	DATED:Sep.11,2007	SHEET: 1 OF 1	REV:
APPROVED:LIZHICHENG	DATED:Sep.11,2007	FILE No.DOC-03B0009-01C	A