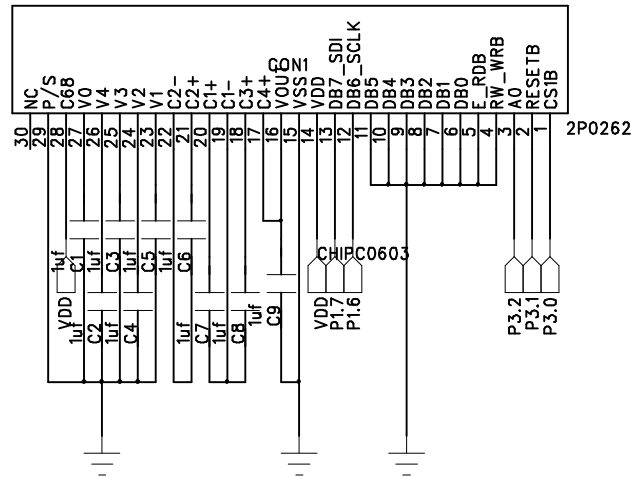


REVISION RECORD			
Version	Contents	APPROVED:	DATE:
A	First Release	NAME	Sep.25,2008



**TRULY** SEMICONDUCTORS LIMITED R&D Center DISPLAY MODULE R&D DEPARTMENT

PRODUCT No. **T-2P0262**

Assemblage No. CMC??????-?-E-2

DRAWN: ????

DATED: Sep.25,2008

DRAWING NO: /

CHECKED: ????

SHEET: 1 OF 1

REV:

APPROVED: Li Mengxiang

FILE No.DOC-03B0009-01D

?