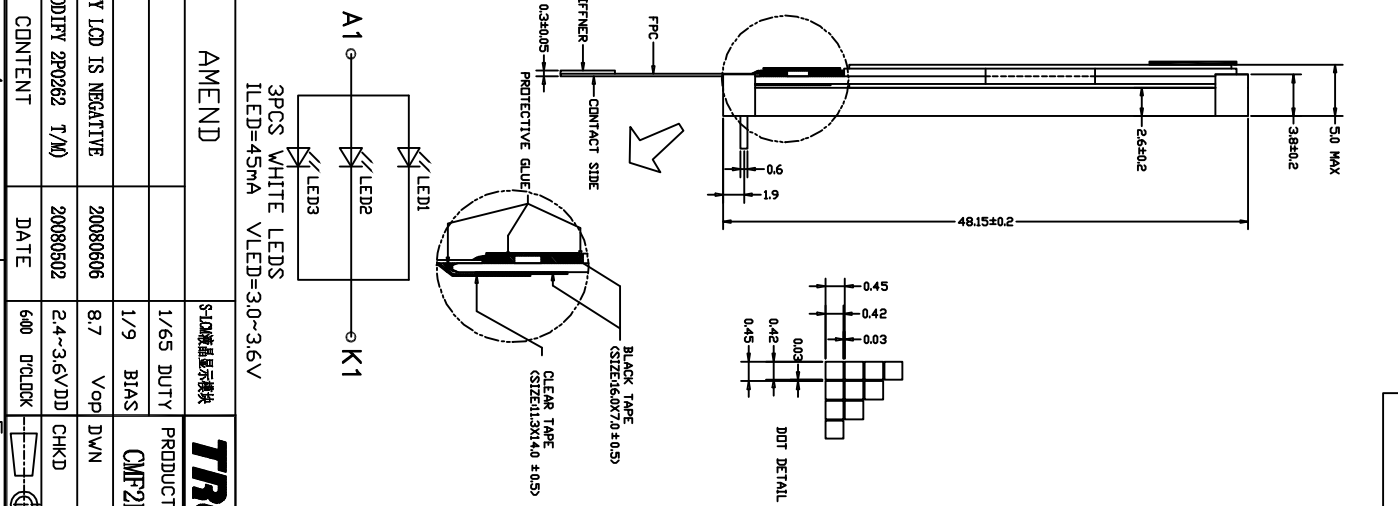
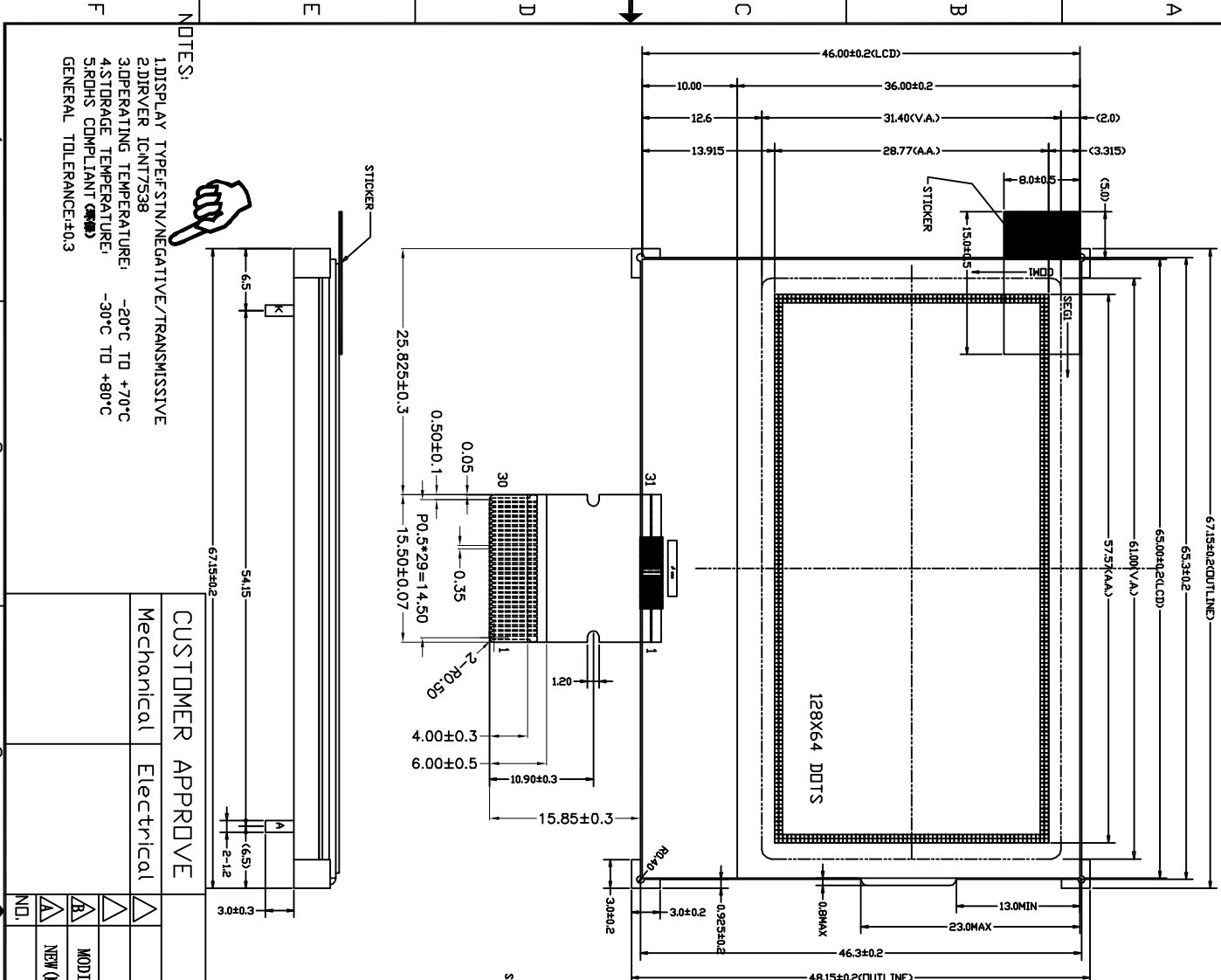
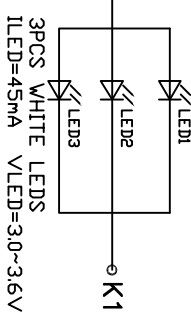


Customer No.:



PIN CONFIGURATION	PIN1	PIN2	PIN3	PIN4	PIN5	PIN6	PIN7	PIN8	PIN9	PIN10	PIN11	PIN12	PIN13	PIN14	PIN15	PIN16	PIN17	PIN18	PIN19	PIN20	PIN21	PIN22	PIN23	PIN24	PIN25	PIN26	PIN27	PIN28	PIN29	PIN30
CS1B	RESETB	A0	RW_WRB	E_RDB	DB0	DB1	DB2	DB3	DB4	DB5	DB6-SCLK	DB7-SLD	VDD	VSS	VOUT	C4+	C3+	C1-	C1+	C2+	C2-	V1	V2	V3	V4	V0	PS	C86	NC	



CUSTOMER APPROVE

Mechanical Electrical

AMEND

1/65 DUTY BIAS

TRULY SEMICONDUCTORS LTD.

PRODUCT NO. CMP2P0273-E DRAW NO. 2K9265 REV B

1/9 BIAS 20080606 8/7 Vop

MODIFY LCD IS NEGATIVE 20080606 2.4~3.6V/DD

NEW (MODIFY 2P0262 1/M) 20080602 600 DC/DCK

CHKD QJM 20080502 APPD H.Y. Q20080502



- NOTES:
- 1.DISPLAY TYPE:FTN/NEGATIVE/TRANSMISSIVE
  - 2.DRIVER IC:NT7338
  - 3.OPERATING TEMPERATURE: -20°C TO +70°C
  - 4.STORAGE TEMPERATURE: -30°C TO +80°C
  - 5.ROHs COMPLIANT (RoHS)
  - GENERAL TOLERANCE:±0.3

67.15±0.2

54.15

3.0±0.3

3PCS WHITE LEDS  
ILED=45mA VLED=3.0~3.6V

1/65 DUTY BIAS

TRULY SEMICONDUCTORS LTD.

PRODUCT NO. CMP2P0273-E DRAW NO. 2K9265 REV B

1/9 BIAS 20080606 8/7 Vop

MODIFY LCD IS NEGATIVE 20080606 2.4~3.6V/DD

NEW (MODIFY 2P0262 1/M) 20080602 600 DC/DCK

CHKD QJM 20080502 APPD H.Y. Q20080502