

OLED

96X16

0.8"



■ PHYSICAL DATA

No.	Items:	Specification:	Unit
1	Diagonal Size	0.8	Inch
2	Resolution	96(H) x 16(V)	Lines
3	Active Area	19.95(W) x 3.29(H)	mm
4	Outline Dimension (Panel)	26.00(W) x 9.20(H)	mm
5	Pixel Pitch	0.208 (W) x 0.207 (H)	mm
6	Pixel Size	0.188 (W) x 0.187 (H)	mm
7	Driver IC	SH1101	-
8	Grayscale	mono	-
9	Interface	Parallel / Serial	-
10	IC package type	TCP	-
11	Thickness	1.6	mm
12	Weight	<1.5	g
13	Duty	1/16	-

■ SERIES PRODUCTS LIST

Module No.	Display Color	CIE		Luminance typical(cd/m ²)	Lifetime (hrs@25°C)	
		x	y		30% ON*	100% ON*
TOB9M0023-R-E	Red	0.65	0.34	30	150K	45K
				50	75K	22K
TOB9M0023-Y-E	Yellow	0.46	0.51	60	150K	45K
				100	70K	21K
TOB9M0023-G-E	Green	0.31	0.62	80	80K	24K
				100	55K	16K
TOB9M0023-B-E	Blue	0.16	0.27	60	80K	24K
				80	60K	18K
TOB9M0023-W-E	White	0.3	0.36	60	80K	24K
				80	60K	18K

* 30% ON: 30% pixels scrolling display on;100% ON: all pixels display on

EXTERNAL DIMENSIONS

Customer No.:

PIN DESCRIPTION

1	NC	17	/CS
2	VPP	18	NC
3	VCOMH	19	P/S
4	IREF	20	C86
5	D7	21	VDD1
6	D6	22	NC
7	D5	23	NC
8	D4	24	NC
9	D3	25	VBREF
10	D2	26	SENSE
11	D1	27	FB
12	D0	28	VDD2
13	/RD	29	SW
14	/RW	30	VSS
15	A0	31	NC
16	/RES		

NOTES:

- OPERATING TEMPERATURE: -20°C TO 70°C
- STORAGE TEMPERATURE: -30°C TO 80°C
- DRIVER IC: SH1101
- GENERAL TOLERANCE : ±0.2MM
- ROHS COMPLIANCY

CUSTOMER APPROVE		AMEND		OLED		TRULY SEMICONDUCTORS LTD.		
Mechanical	Electrical	NO.	DATE	DESCRIPTION	BY	DATE	APPD	REV
		ADD ROHS COMPLIANCY	20071128	DUTY	杨学宇	071128	DSN	黎洪由 071128
		更改A-AK点阵间距及V-A区大小	20070109	Vop	谢志生	071128	APPD	苏君海 071128
		更改玻璃外围尺寸	20070104	VDD	谢志生	071128	APPD	苏君海 071128
		CONTENT	DATE	DCLOCK				

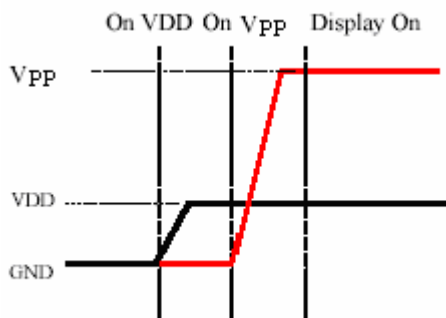
ND.	NAME	QTY	Part No.

TIMING OF POWER SUPPLY

To Protect OLED panel and extend the panel life time, the driver IC power up/down routine should include a delay period between high voltage and low voltage power sources turn on/off.

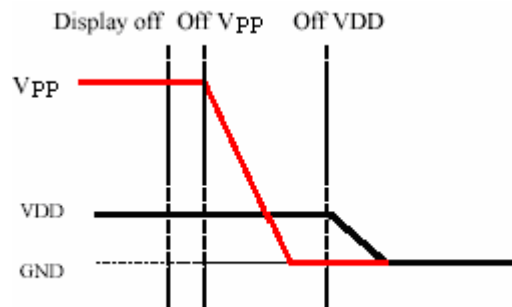
Power up Sequence:

1. Power up V_{DD}
2. Delay 100ms
3. Power up V_{PP} (High Voltage)
4. Delay 100ms
5. Send Display ON command



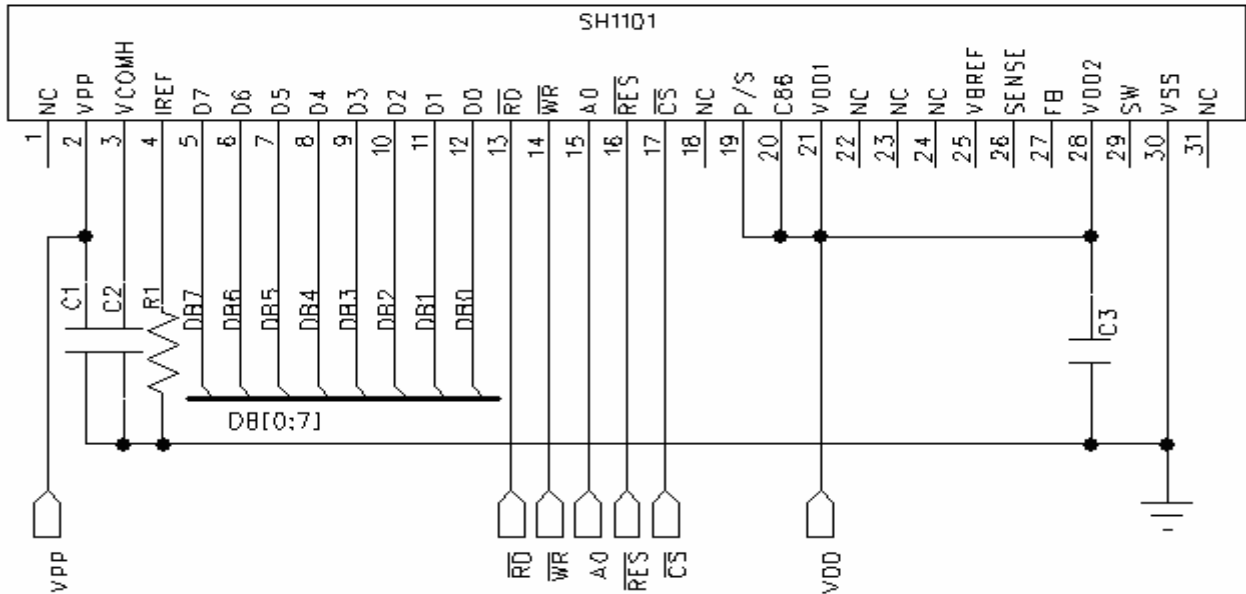
Power down Sequence:

1. Send Display OFF command
2. Power down V_{PP}(High Voltage)
3. Delay 100ms
4. Power down V_{DD}

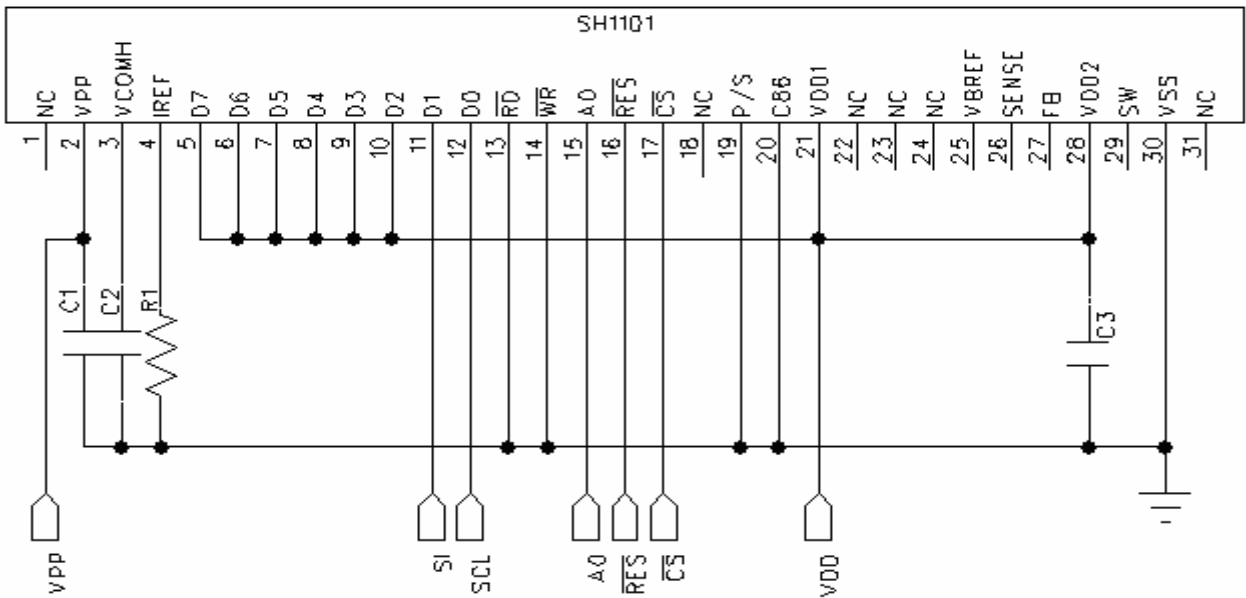


■ SCHEMATIC EXAMPLE

◆ 8080 Series Interface Application Circuit(External VPP):



◆ Serial Interface Application Circuit(External VPP):



NOTE:

- 1、 R1=910KΩ,C1=C2=C3=4.7uF
- 2、 In Serial interface mode , the read function is not possible

■ Contact Information:

TRULY SEMICONDUCTORS LIMITED

HEAD OFFICE(HK): (852)2487 9803

CHINA FACTORY : +86(0660)337 2777

lcd_sale@truly.com.hk

trulylcd@pub.shanwei.gd.cn