

# OLED

# 128X64

1.02"



■ PHYSICAL DATA

No.	Items:	Specification:	Unit
1	Diagonal Size	1.02	Inch
2	Resolution	128(H) x 64(V)	Lines
3	Active Area	23.02(W) x 11.86(H)	mm
4	Outline Dimension (Panel)	30.00(W) x 20.16(H)	mm
5	Pixel Pitch	0.180(W) x 0.180(H)	mm
6	Pixel Size	0.160(W) x 0.160(H)	mm
7	Driver IC	SH1101	-
8	Grayscale	mono	-
9	Interface	Parallel / Serial	-
10	IC package type	TCP	-
11	Thickness	1.6	mm
12	Weight	<2.5	g
13	Duty	1/64	-

■ SERIES PRODUCTS LIST

Module No.	Display Color	CIE		Luminance typical(cd/m <sup>2</sup> )	Lifetime (hrs,25℃)	
		x	y		30% ON*	100% ON*
TOD9M0018-A2-E	Blue+Yellow	0.16	0.27	60	80K	24K
				80	60K	18K
TOD9M0018-R-E	Red	0.65	0.34	30	150K	45K
				50	75K	22K
TOD9M0018-G-E	Green	0.31	0.62	80	80K	24K
				100	55K	16K
TOD9M0018-Y-E	Yellow	0.46	0.51	60	150K	45K
				100	70K	22K
TOD9M0018-W-E	White	0.3	0.36	60	80K	24K
				80	60K	18K

\* 30% ON: 30% pixels scrolling display on; 100% ON: all pixels display on

### EXTERNAL DIMENSIONS

Customer No. :

**PIN ASSIGNMENT**

PIN	SYMBOL
PIN1	NC
PIN2	VPP
PIN3	VCOM
PIN4	DEP
PIN5	DT
PIN6	DE
PIN7	DS
PIN8	D4
PIN9	D3
PIN10	D2
PIN11	D1
PIN12	D0
PIN13	RES
PIN14	WR
PIN15	A0
PIN16	RES
PIN17	CS
PIN18	NC
PIN19	P/S
PIN20	CS6
PIN21	VDD1
PIN22	NC
PIN23	NC
PIN24	NC
PIN25	VDD2
PIN26	SENSE
PIN27	FB
PIN28	VDD2
PIN29	SE
PIN30	VSS
PIN31	NC

**NOTES:**

- GENERAL TOLERANCE : ±0.2MM
- OPERATING TEMPERATURE: -20° C TO 70° C
- STORAGE TEMPERATURE: -30° C TO 80° C
- DRIVE IC : SH1101B
- ROHS COMPLIANCY

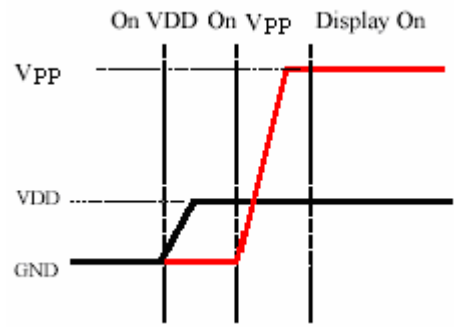
CUSTOMER APPROVE		AMEND		NO.	NAME	QTY	Part No.
Mechanical	Electrical	△		1/64	DUTY		<b>TRULY SEMICONDUCTORS LTD.</b>
		△		/	BTAS		PRODUCT NO. <b>TOD9M0018</b>
		△		/	Vop		DRAW NO. <b>OLED117</b>
		△	ADD ROHS COMPLIANCY	20071128	VDD		REV <b>B</b>
		NO.	CONTENT	DATE	0' CLKX		

### TIMING OF POWER SUPPLY

To Protect OLED panel and extend the panel life time, the driver IC power up/down routine should include a delay period between high voltage and low voltage power sources turn on/off.

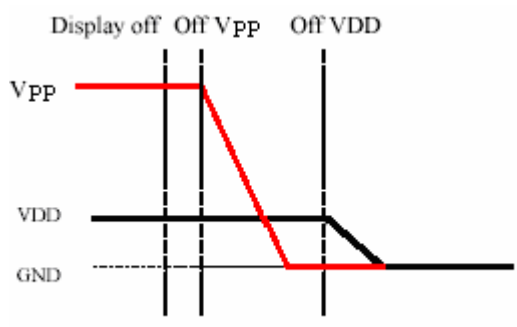
#### Power up Sequence:

1. Power up V<sub>DD</sub>
2. Delay 100ms
3. Power up V<sub>PP</sub> (High Voltage)
4. Delay 100ms
5. Send Display ON command



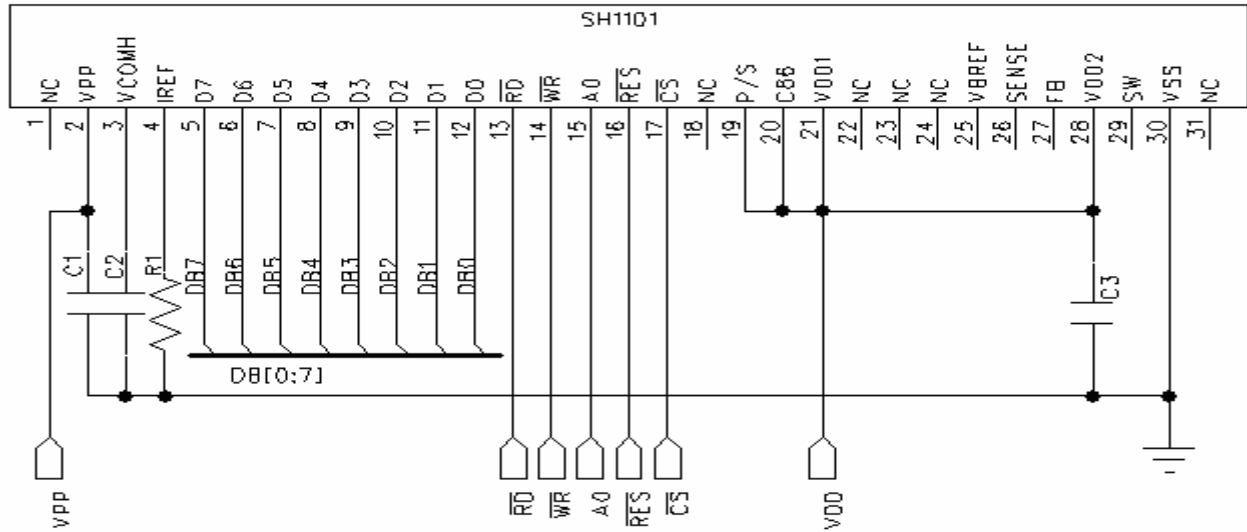
#### Power down Sequence:

1. Send Display OFF command
2. Power down V<sub>PP</sub>(High Voltage)
3. Delay 100ms
4. Power down V<sub>DD</sub>

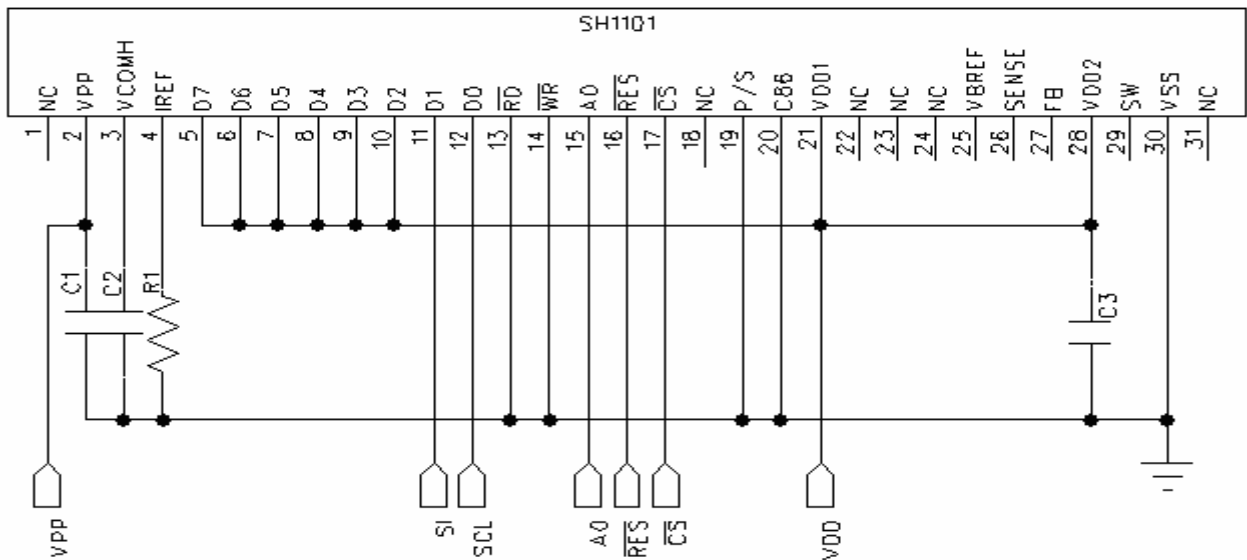


■ SCHEMATIC EXAMPLE

◆ 8080 Series Interface Application Circuit(External VPP):



◆ Serial Interface Application Circuit(External VPP):



NOTE:

1.  $R1=910K\Omega, C1=C2=C3=4.7\mu F$
2. In Serial interface mode , read function is not possible.

■ Contact Information:

TRULY SEMICONDUCTORS LIMITED

HEAD OFFICE(HK): (852)2487 9803

CHINA FACTORY : +86(0660)337 2777

lcd\_sale@truly.com.hk

trulylcd@pub.shanwei.gd.cn