

# OLED

---

# 96X64

0.91"



## ■ PHYSICAL DATA

No.	Items:	Specification:	Unit
1	Diagonal Size	0.91	Inch
2	Resolution	96 (H) x 64(V)	Lines
3	Active Area	19.175 (W) x 13.031(H)	mm
4	Outline Dimension (Panel)	28.00 (W) x 20.30(H)	mm
5	Pixel Pitch	0.20 (W) x 0.204 (H)	mm
6	Pixel Size	0.175 (W) x 0.179 (H)	mm
7	Driver IC	SH1101	-
8	Grayscale	mono	-
9	Interface	Parallel / Serial	-
10	IC package type	TCP	-
11	Thickness	1.6	mm
12	Weight	<2.1	g
13	Duty	1/64	-

## ■ SERIES PRODUCTS LIST

Module No.	Display Color	CIE		Luminance cd/m <sup>2</sup>	Lifetime (hrs, 25°C)	
		x	y		30% ON*	100% ON*
TOD9M0030-R-E	Red	0.65	0.34	30	150K	45K
				50	75K	22K
TOD9M0030-Y-E	Yellow	0.46	0.51	60	150K	45K
				100	70K	21K
TOD9M0030-G-E	Green	0.31	0.62	80	80K	24K
				100	55K	16K
TOD9M0030-B-E	Blue	0.16	0.27	60	80K	24K
				80	60K	18K
TOD9M0030-W-E	White	0.3	0.36	60	80K	24K
				80	60K	18K

\* 30% ON: 30% pixels scrolling display on;100% ON: all pixels display on

**EXTERNAL DIMENSIONS**

Customer No.:

PIN DESCRIPTION	
16 /RES	31 NC
15 A0	30 VSS
14 /WR	29 SW
13 /RD	28 VDD2
12 D0	27 FB
11 D1	26 SENSE
10 D2	25 VBREF
9 D3	24 NC
8 D4	23 NC
7 D5	22 NC
6 D6	21 VDD1
5 D7	20 C86
4 IREF	19 P/S
3 VCOMH	18 NC
2 VPP	17 /CS
1 NC	

**NOTE:**

1. OPERATING TEMPERATURE: -20°C TO 70°C
2. STORAGE TEMPERATURE: -30°C TO 80°C
3. TCP DRIVER: SH1101
4. GENERAL TOLERANCE: ±0.2MM
5. ROHS COMPLIANT

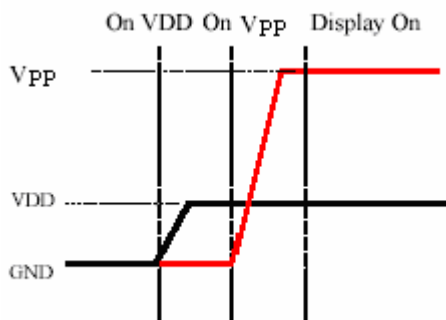
CUSTOMER APPROVE		AMEND		NO.	NAME	QTY	Part No.
Mechanical	Electrical				<b>OLED</b>		<b>TRULY SEMICONDUCTORS LTD.</b>
					1/64 DUTY		PRODUCT NO.
					BIAS		TOD9M0030
					Vop		DSN 黎洪由 20071128
					VDD		APPD 苏君海 20071128
					CONTENT		UNIT mm
					DATE		SHEET: 3/3

**TIMING OF POWER SUPPLY**

To Protect OLED panel and extend the panel life time, the driver IC power up/down routine should include a delay period between high voltage and low voltage power sources turn on/off.

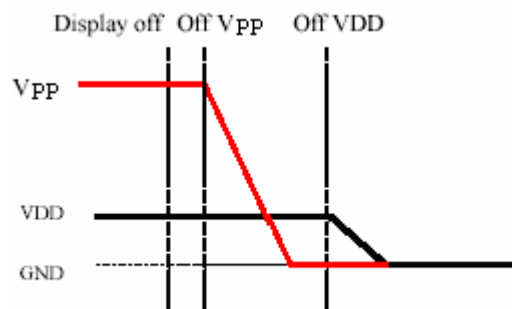
Power up Sequence:

1. Power up V<sub>DD</sub>
2. Delay 100ms
3. Power up V<sub>PP</sub> (High Voltage)
4. Delay 100ms
5. Send Display ON command



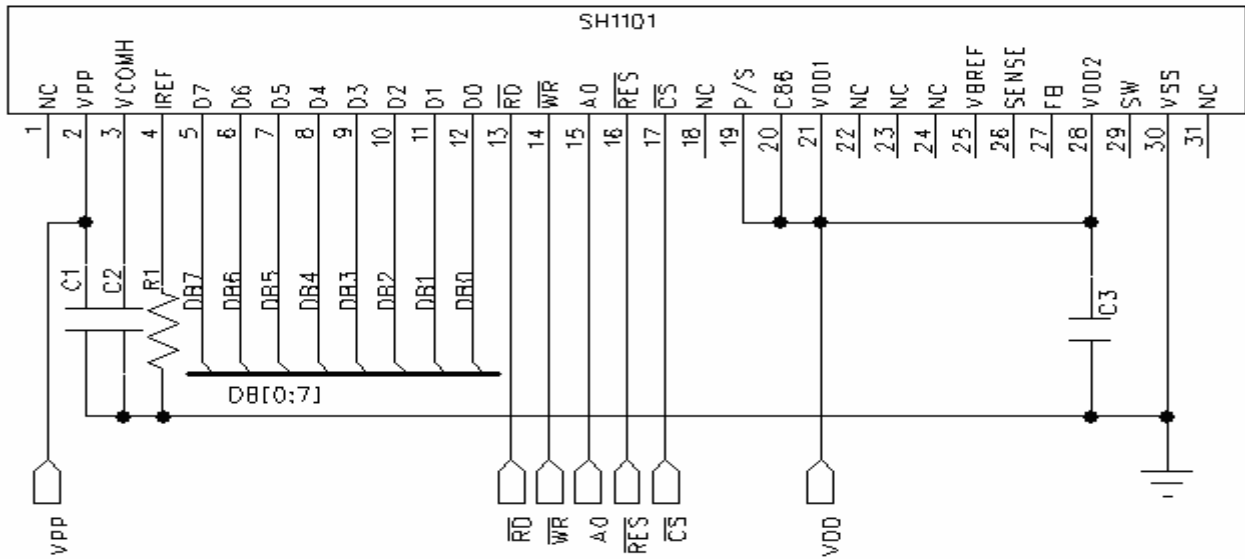
Power down Sequence:

1. Send Display OFF command
2. Power down V<sub>PP</sub>(High Voltage)
3. Delay 100ms
4. Power down V<sub>DD</sub>

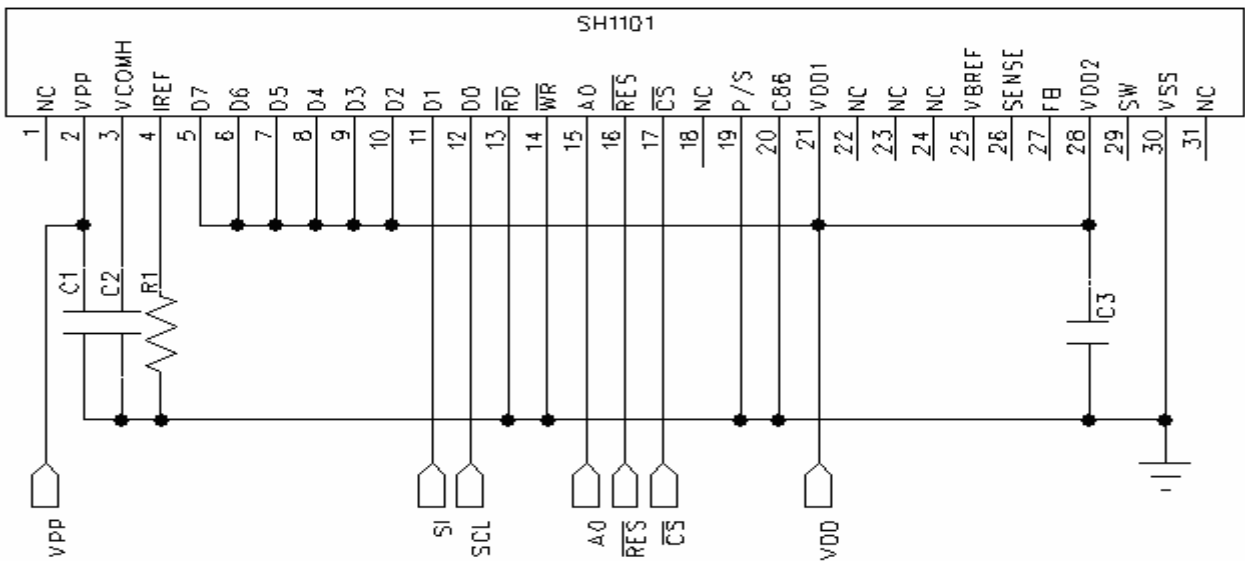


■ SCHEMATIC EXAMPLE

◆ 8080 Series Interface Application Circuit(External VPP):



◆ Serial Interface Application Circuit(External VPP):



NOTE:

1. R1=910KΩ,C1=C2=C3=4.7uF

2.In Serial interface mode, the read function is not possible.

■ Contact Information:

TRULY SEMICONDUCTORS LIMITED

HEAD OFFICE(HK): (852)2487 9803

CHINA FACTORY : +86(0660)337 2777

lcd\_sale@truly.com.hk

trulylcd@pub.shanwei.gd.cn