

SPECIFICATION

OLED
96X16 **0.8"**



PRODUCT CONTENTS

- SERIES PRODUCTS LIST
- PHYSICAL DATA
- ABSOLUTE MAXIMUM RATINGS
- EXTERNAL DIMENSIONS
- ELECTRICAL CHARACTERISTICS
- TIMING OF POWER SUPPLY
- POWER CONSUMPTION
- INTERFACE PIN CONNECTIONS
- COMMAND TABLE
- INTIALIZATION CODE
- SCHEMATIC EXAMPLE
- RELIABILITY TESTS
- OUTGOING QUALITY CONTROL SPECIFICATION
- CAUTIONS IN USING OLED MODULE

■ SERIES PRODUCTS LIST

Module No.	Display Color	CIE		Luminance typical(cd/m ²)	Lifetime (hrs@25°C)	
		x	y		30% ON*	100% ON*
TOB9M0023-R-E	Red	0.65	0.34	30	150K	45K
				50	75K	22K
TOB9M0023-Y-E	Yellow	0.46	0.51	60	150K	45K
				100	70K	21K
TOB9M0023-G-E	Green	0.31	0.62	80	80K	24K
				100	55K	16K
TOB9M0023-B-E	Blue	0.16	0.27	60	80K	24K
				80	60K	18K
TOB9M0023-W-E	White	0.3	0.36	60	80K	24K
				80	60K	18K

* 30% ON: 30% pixels scrolling display on;100% ON: all pixels display on

- 1、 **Life Time** is defined when the Luminance has decayed to less than 50% of the initial Luminance.

■ PHYSICAL DATA

No.	Items:	Specification:	Unit
1	Diagonal Size	0.8	Inch
2	Resolution	96(H) x 16(V)	Lines
3	Active Area	19.95(W) x 3.29(H)	mm
4	Outline Dimension (Panel)	26.00(W) x 9.20(H)	mm
5	Pixel Pitch	0.208 (W) x 0.207 (H)	mm
6	Pixel Size	0.188 (W) x 0.187 (H)	mm
7	Driver IC	SH1101	-
8	Grayscale	mono	-
9	Interface	Parallel / Serial	-
10	IC package type	TCP	-
11	Thickness	1.6	mm
12	Weight	<1.5	g
13	Duty	1/16	-

■ ABSOLUTE MAXIMUM RATINGSUnless otherwise specified, $V_{SS} = 0V$ ($T_a = 25^{\circ}C$)

Items		Symbol	Min	Typ.	Max	Unit
Supply Voltage	Logic	V_{DD}	-0.3	-	3.6	V
	Driving	V_{PP}	-0.3	-	18.0	V
Operating Temperature		T_{op}	-20	-	70	$^{\circ}C$
Storage Temperature		T_{st}	-30	-	80	$^{\circ}C$
Humidity		-	-	-	90	%RH

NOTE:

Permanent device damage may occur if **ABSOLUTE MAXIMUM RATINGS** are exceeded. Functional operation should be restricted to the conditions as detailed in the operational sections of this data sheet. Exposure to absolute maximum rating conditions for extended periods may affect reliability.

■ ELECTRICAL CHARACTERISTICS**DC Characteristics**Unless otherwise specified, $V_{SS} = 0V$, $V_{DD} = 2.4V$ to $3.5V$ ($T_a = 25^\circ C$)

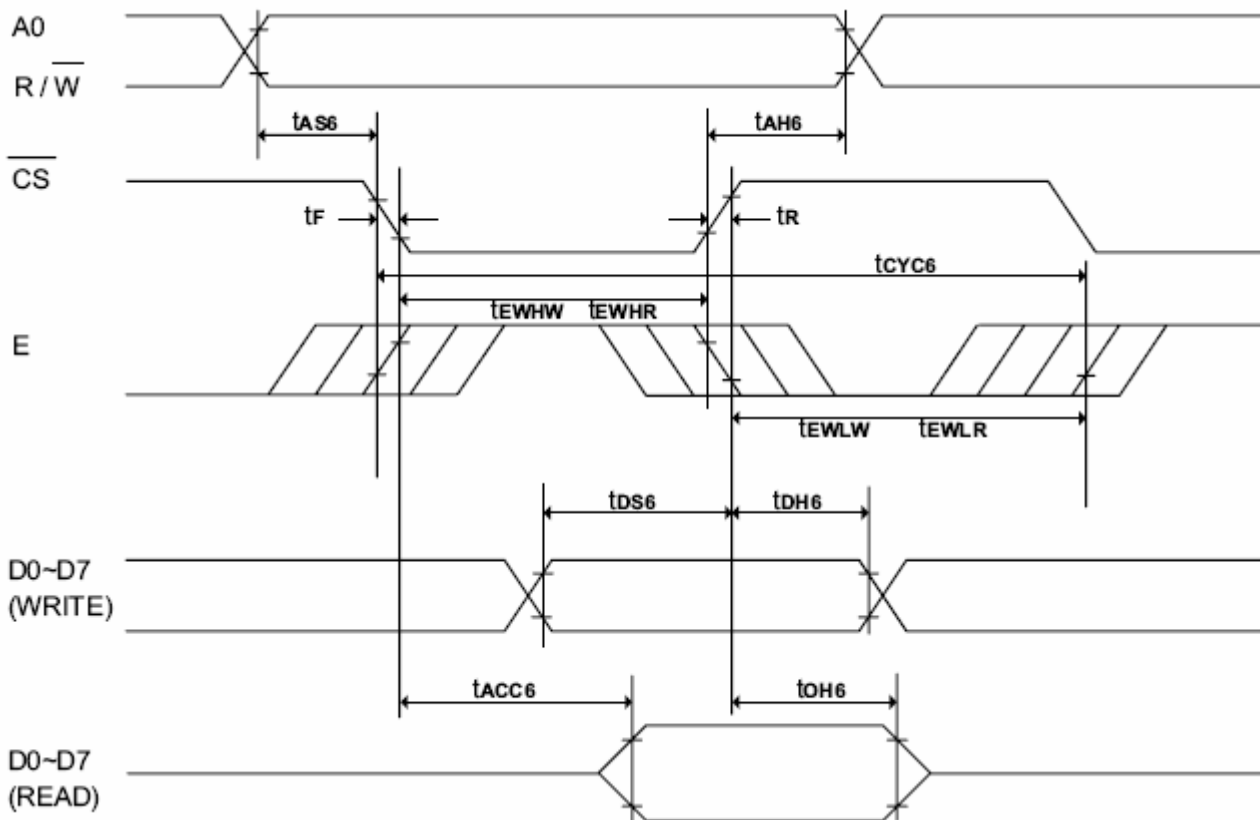
Items		Symbol	Min	Typ.	Max	Unit
Supply Voltage	Logic	V_{DD}	2.4	3.0	3.5	V
	Operating	V_{PP}	7.0	12	16	V
Input Voltage	High Voltage	V_{IH}	$0.8 \times V_{DD}$	-	V_{DD}	V
	Low Voltage	V_{IL}	V_{SS}	-	$0.2 \times V_{DD}$	V
Output Voltage	High Voltage	V_{OH}	$0.8 \times V_{DD}$	-	V_{DD}	V
	Low Voltage	V_{OL}	V_{SS}	-	$0.2 \times V_{DD}$	V

◆ AC Characteristics

Use 8080/6800-Series MPU Parallel Interface or Serial Interface

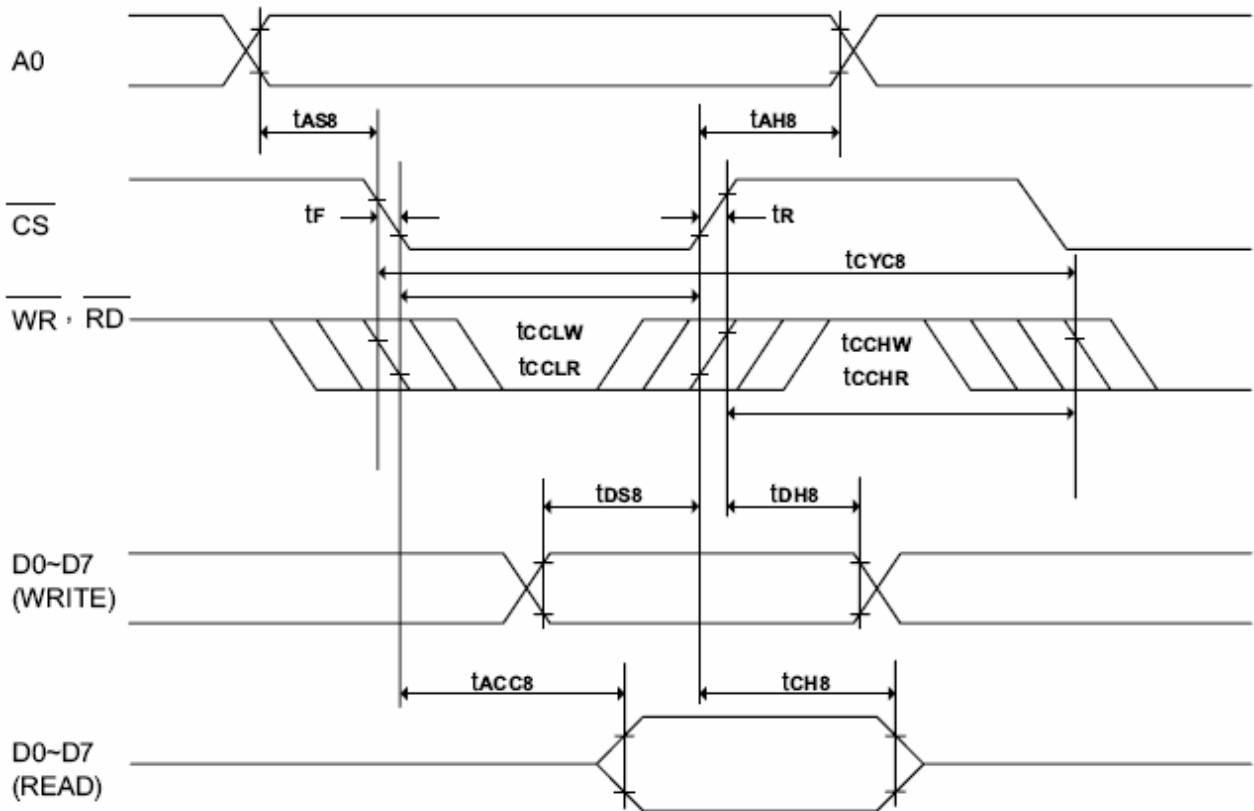
1. 6800 Series MPU Parallel Interface

Symbol	Parameter	Min.	Typ.	Max.	Unit	Condition
t _{CYC6}	System cycle time	300	-	-	ns	
t _{AS6}	Address setup time	0	-	-	ns	
t _{AH6}	Address hold time	0	-	-	ns	
t _{DS6}	Data setup time	40	-	-	ns	
t _{DH6}	Data hold time	15	-	-	ns	
t _{OH6}	Output disable time	10	-	70	ns	CL=100pF
t _{ACC6}	Access time	-	-	140	ns	CL=100pF
t _{EWHW}	Enable H pulse width (Write)	100	-	-	ns	
t _{EWHR}	Enable H pulse width (Read)	120	-	-	ns	
t _{EWLW}	Enable L pulse width (Write)	100	-	-	ns	
t _{EWLR}	Enable L pulse width (Read)	100	-	-	ns	
t _R	Rise time	-	-	15	ns	
t _F	Fall time	-	-	15	ns	



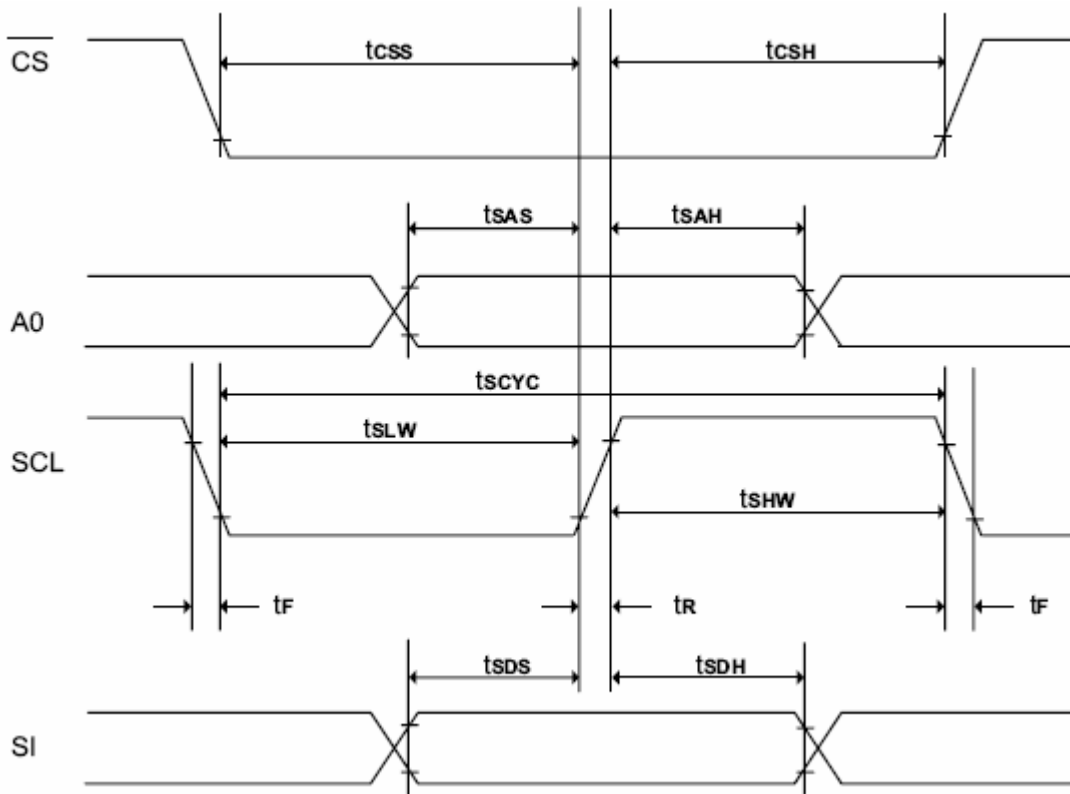
2. 8080 Series MPU Parallel Interface

Symbol	Parameter	Min.	Typ.	Max.	Unit	Condition
tCYC8	System cycle time	300	-	-	ns	
tAS8	Address setup time	0	-	-	ns	
tAH8	Address hold time	0	-	-	ns	
tDS8	Data setup time	40	-	-	ns	
tDH8	Data hold time	15	-	-	ns	
tCH8	Output disable time	10	-	70	ns	CL=100pF
tACC8	\overline{RD} access time	-	-	140	ns	CL=100pF
tCCLW	Control L pulse width (WR)	100	-	-	ns	
tCCLR	Control L pulse width (RD)	120	-	-	ns	
tCCHW	Control H pulse width (WR)	100	-	-	ns	
tCCHR	Control H pulse width (RD)	100	-	-	ns	
tR	Rise time	-	-	15	ns	
tF	Fall time	-	-	15	ns	

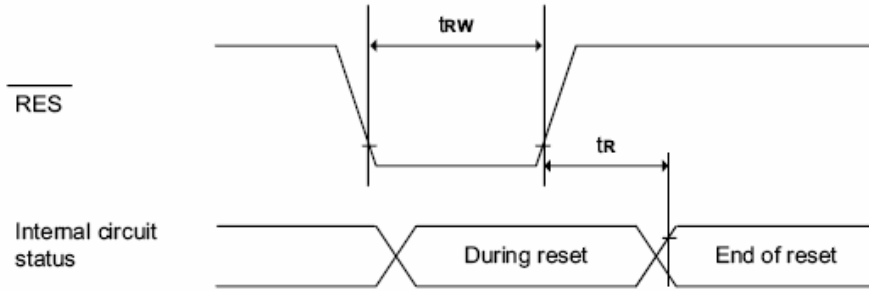


3. Serial Interface

Symbol	Parameter	Min.	Typ.	Max.	Unit	Condition
Tscyc	Serial clock cycle	250	-	-	ns	
TsAS	Address setup time	150	-	-	ns	
TsAH	Address hold time	150	-	-	ns	
TsDS	Data setup time	100	-	-	ns	
TsDH	Data hold time	100	-	-	ns	
TcSS	\overline{CS} setup time	120	-	-	ns	
TcSH	\overline{CS} hold time time	60	-	-	ns	
Tshw	Serial clock H pulse width	100	-	-	ns	
Tslw	Serial clock L pulse width	100	-	-	ns	
tR	Rise time	-	-	15	ns	
tF	Fall time	-	-	15	ns	



4. Reset Timing



(VDD1=2.4 – 3.5V, TA =25°C)

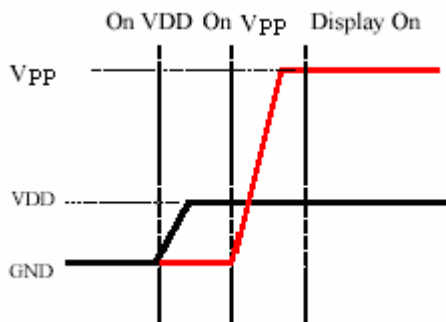
Symbol	Parameter	Min.	Typ.	Max.	Unit	Condition
TR	Reset time	-	-	1.0	μs	
TRW	Reset low pulse width	5.0	-	-	μs	

■ TIMING OF POWER SUPPLY

To Protect OLED panel and extend the panel life time, the driver IC power up/down routine should include a delay period between high voltage and low voltage power sources turn on/off.

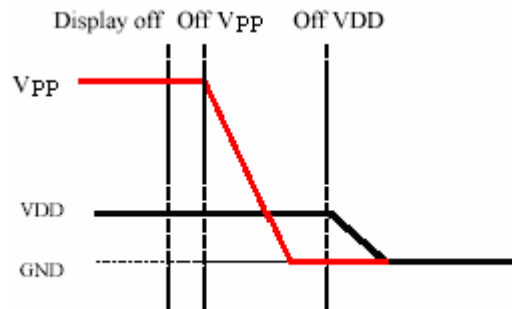
Power up Sequence:

1. Power up V_{DD}
2. Delay 100ms
3. Power up V_{PP} (High Voltage)
4. Delay 100ms
5. Send Display ON command



Power down Sequence:

1. Send Display OFF command
2. Power down V_{PP}(High Voltage)
3. Delay 100ms
4. Power down V_{DD}



■ POWER CONSUMPTION

Unless otherwise specified, VSS=0V, VDD=3.0V, Frame Frequency=100Hz

Module No.	VPP(V)	Contrast Command Set(hex)	Luminance Typical(cd/m2)	Typical Power Consumption(mW)		Sleep Mode
				All pixels ON	30% pixels ON	
TOB9M0023-R-E	9.5	0x0F	30	25	10	<5uA
	9.0	0x28	50	40	15	
TOB9M0023-Y-E	8	0x0F	80	20	8	<5uA
		0x1F	100	30	10	
TOB9M0023-G-E	8.5	0x0F	60	15	6	<5uA
	9.5		100	20	8	
TOB9M0023-B-E	8.5	0x0F	60	22	9	<5uA
	10.0		80	35	14	
TOB9M0023-W-E	9	0x1F	60	25	10	<5uA
	10		100	40	15	

■ INTERFACE PIN CONNECTIONS

No	Symbol	Description
1	NC	No connection
2	VPP	High voltage supply for OLED panel
3	VCOMH	High level voltage output of COM signal
4	IREF	Current reference pin
5	D7	Data bus or High impedance in Serial mode
6	D6	Data bus or High impedance in Serial mode
7	D5	Data bus or High impedance in Serial mode
8	D4	Data bus or High impedance in Serial mode
9	D3	Data bus or High impedance in Serial mode
10	D2	Data bus or High impedance in Serial mode
11	D1	Data bus or as SI in Serial mode
12	D0	Data bus or as SCL in Serial mode
13	/RD	MCU interface input pin
14	/WR	MCU interface input pin
15	A0	Data/Command data control pin
16	/RES	MCU control or RC for low pulse start up
17	/CS	The chip select pin. Low is enabled
18	NC	No connection
19	P/S	It is a switch to select the input data to parallel or series
20	C86	It is the MPU interface switched pad(L:6800; H:8080)
21	VDD1	Logic voltage supply for IC
22	NC	No connection
23	NC	No connection
24	NC	No connection
25	VBREF	Internal voltage reference pad for the booster circuit
26	SENSE	A source current pad of the external NMOS of the booster
27	FB	A feedback voltage for the booster circuit
28	VDD2	Voltage supply for the booster circuit
29	SW	Driving the gate of the external NMOS of the booster circuit
30	VSS	Ground
31	NC	No connection

■ COMMAND TABLE

Command	Code											Function
	A0	\overline{RD}	\overline{WR}	D7	D6	D5	D4	D3	D2	D1	D0	
1. Set Column Address 4 lower bits	0	1	0	0	0	0	0	Lower column address				Sets 4 lower bits of column address of display RAM in register. (POR = 00H)
2. Set Column Address 4 higher bits	0	1	0	0	0	0	1	Higher column address				Sets 4 higher bits of column address of display RAM in register. (POR = 10H)
3. Reserved Command	0	1	0	0	0	1	0	0	1	0	0	Reserved
4. Reserved Command	0	1	0	0	0	1	0	0	1	1	0	Reserved
5. Reserved Command	0	1	0	0	0	1	0	1	1	1	D	Reserved
6. Set Display Start Line	0	1	0	0	1	Line address					Specifies RAM display line for COM0. (POR = 40H)	
7. The Contrast Control Mode Set	0	1	0	1	0	0	0	0	0	0	1	This command is to set Contrast Setting of the display.
Contrast Data Register Set	0	1	0	Contrast Data							The chip has 256 contrast steps from 00 to FF. (POR = 80H)	
8. Set Segment Re-map (ADC)	0	1	0	1	0	1	0	0	0	0	ADC	The right (0) or left (1) rotation. (POR = A0H)
9. Set Entire Display OFF/ON	0	1	0	1	0	1	0	0	1	0	D	Selects normal display (0) or Entire Display ON (1). (POR = A4H)
10. Set Normal/Reverse Display	0	1	0	1	0	1	0	0	1	1	D	Normal indication (0) when low, but reverse indication (1) when high. (POR = A6H)
11. Multiplex Ration Mode Set	0	1	0	1	0	1	0	1	0	0	0	This command switches default 63 multiplex mode to any multiplex ratio from 1 to 64. (POR = 3FH)
Multiplex Ration Data Set	0	1	0	*	*	Multiplex Ratio						
12. DC-DC Control Mode Set	0	1	0	1	0	1	0	1	1	0	1	This command is to control the DC-DC voltage DC-DC will be turned on when display on converter (1) or DC-DC OFF (0). (POR = 8BH)
DC-DC ON/OFF Mode Set	0	1	0	1	0	0	0	1	0	1	D	

Command	Code											Function
	A0	\overline{RD}	\overline{WR}	D7	D6	D5	D4	D3	D2	D1	D0	
13. Display OFF/ON	0	1	0	1	0	1	0	1	1	1	D	Turns on OLED panel (1) or turns off (0). (POR = AEH)
14. Set Page Address	0	1	0	1	0	1	1	Page Address				Specifies page address to load display RAM data to page address register. (POR = B0H)
15. Set Common Output Scan Direction	0	1	0	1	1	0	0	D	*	*	*	Scan from COM0 to COM [N - 1] (0) or Scan from COM [N - 1] to COM0 (1). (POR = C0H)
16. Display Offset Mode Set	0	1	0	1	1	0	1	0	0	1	1	This is a double byte command which specifies the mapping of display start line to one of COM0-63. (POR = 00H)
Display Offset Data Set	0	1	0	*	*	COMx						
17. Set Display Divide Ratio/Oscillator Frequency Mode Set	0	1	0	1	1	0	1	0	1	0	1	This command is used to set the frequency of the internal display clocks. (POR = 50H)
Divide Ratio/Oscillator Frequency Data Set	0	1	0	Oscillator Frequency				Divide Ratio				
18. Dis-charge / Pre-charge Period Mode Set	0	1	0	1	1	0	1	1	0	0	1	This command is used to set the duration of the dis-charge and pre-charge period. (POR = 22H)
Dis-charge /Pre-charge Period Data Set	0	1	0	Dis-charge Period				Pre-charge Period				
19. Common Pads Hardware Configuration Mode Set	0	1	0	1	1	0	1	1	0	1	0	This command is to set the common signals pad configuration. (POR = 12H)
Sequential/Alternative Mode Set	0	1	0	0	0	0	D	0	0	1	0	
20. VCOM Deselect Level Mode Set	0	1	0	1	1	0	1	1	0	1	1	This command is to set the common pad output voltage level at deselect stage. (POR = 35H)
VCOM Deselect Level Data Set	0	1	0	VCOM ($\beta \times V_{REF}$)								
21. Read-Modify-Write	0	1	0	1	1	1	0	0	0	0	0	Read-Modify-Write start.
22. End	0	1	0	1	1	1	0	1	1	1	0	Read-Modify-Write end.
23. NOP	0	1	0	1	1	1	0	0	0	1	1	Non-Operation Command
24. Write Display Data	1	1	0	Write RAM data								
25. Read Status	0	0	1	BUSY	ON/OFF	*	*	*	0	0	0	
26. Read Display Data	1	0	1	Read RAM data								

Note: Do not use any other command, or the system malfunction may result.

■ INTIALIZATION CODE

```
Void init_oled()
{
    WOLEDCOM(0xAE);    //DOT MARTIX DISPLAY OFF

    WOLEDCOM(0x40);    //SET DISPLAY START LINE(40H-7FH)

    WOLEDCOM(0xA0);    //SET SEGMENT RE-MAP(0A0H-0A1H)

    WOLEDCOM(0xA4);    //ENTIRE DISPLAY OFF(0A4H-0A5H)

    WOLEDCOM(0xA6);    //SET NORMAL DISPLAY(0A6H-0A7H)

    WOLEDCOM(0xC8);    //COM SCAN COM1-COM64(0C8H,0C0H)

    WOLEDCOM(0xA8);    //SET MULTIPLEX RATIO 64
    WOLEDCOM(0x0F);

    WOLEDCOM(0xD3);    //SET DISPLAY OFFSET(OOH-3FH)
    WOLEDCOM(0x00);

    WOLEDCOM(0xD5);    //SET FRAME FREQUENCY
    WOLEDCOM(0x50);    //100Hz

    WOLEDCOM(0xD9);    //SET DIS-/PRE- _CHARGE PERIOD
    WOLEDCOM(0x22);

    WOLEDCOM(0xDA);    //COM PIN CONFIGURATION(02H,12H)
    WOLEDCOM(0x12);

    WOLEDCOM(0xDB);    //SET VCOM DESELECT LEVEL(035H)
    WOLEDCOM(0x35);

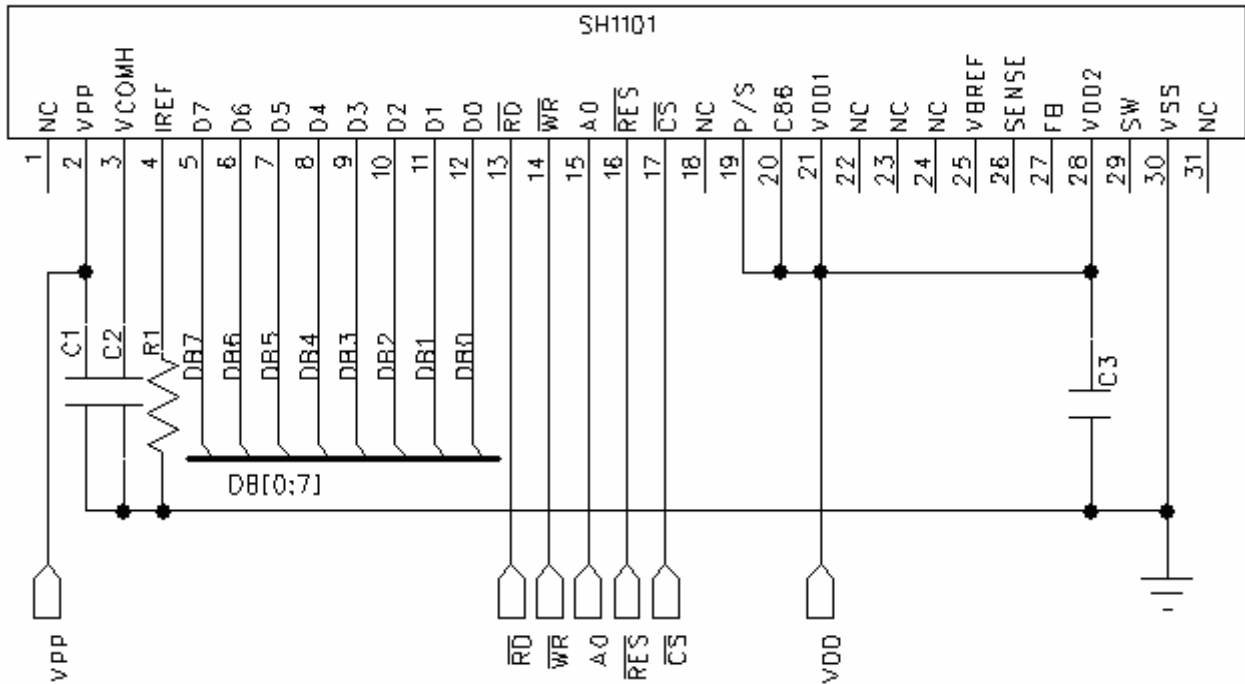
    WOLEDCOM(0x81);    //CONTARST CONTROL(00H-0FFH)
    WOLEDCOM(0x0F);    //reference the page11

    WOLEDCOM(0xAD);    //SET DC/DC BOOSTER(8AH=OFF,8BH=ON)
    WOLEDCOM(0x8A);

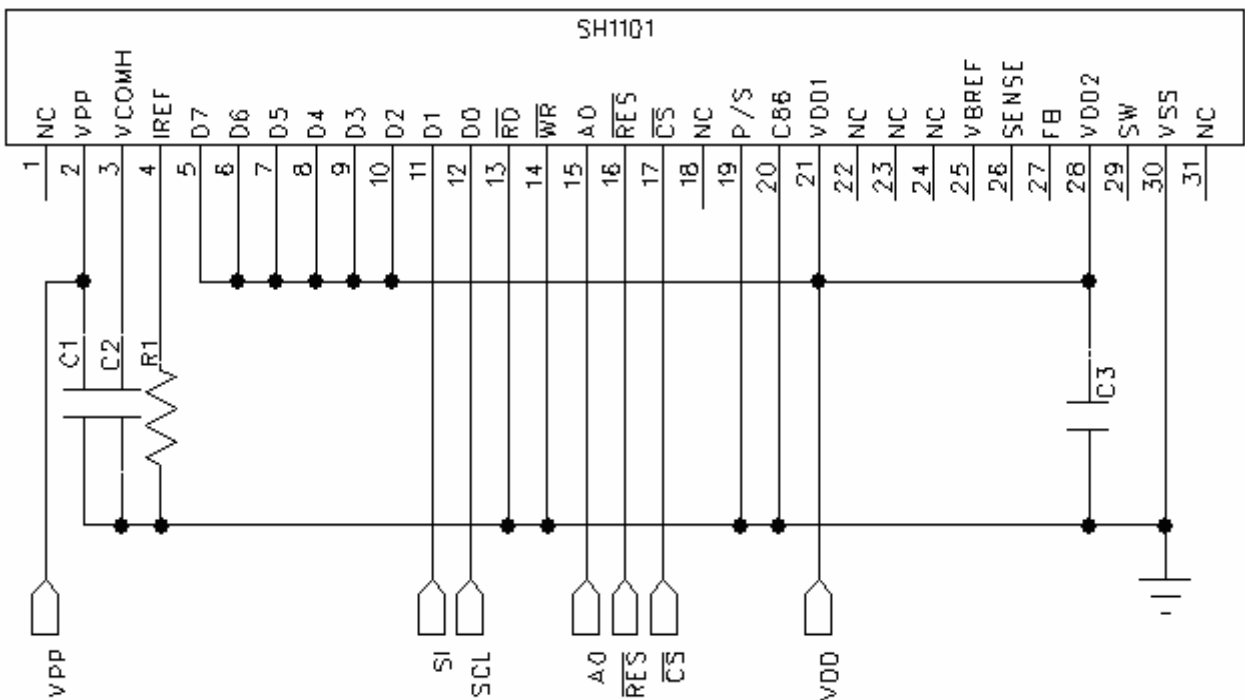
    WOLEDCOM(0xAF);    //DSPLAY ON
}
```

■ SCHEMATIC EXAMPLE

◆ 8080 Series Interface Application Circuit(External VPP):



◆ Serial Interface Application Circuit(External VPP):



NOTE:

1. R1=910KΩ, C1=C2=C3=4.7uF
2. The V_{pp} should connect a external voltage.
3. VBREF、SENCE、FB and SW pin should be open.
4. In Serial interface mode , the read function is not possible.

■ RELIABILITY TESTS

Item		Condition	Criterion
High Temperature Storage (HTS)		80±2°C, 200 hours	1. After testing, the function test is ok. 2. After testing, no addition to the defect. 3. After testing, the change of luminance should be within +/- 50% of initial value. 4. After testing, the change for the mono and area color must be within (+/-0.02, +/-0.02) and for the full color it must be within (+/-0.04, +/-0.04) of initial value based on 1931 CIE coordinates. 5. After testing, the change of total current consumption should be within +/- 50% of initial value.
High Temperature Operating (HTO)		70±2°C, 96 hours	
Low Temperature Storage (LTS)		-30±2°C, 200 hours	
Low Temperature Operating (LTO)		-20±2°C, 96 hours	
High Temperature / High Humidity Storage (HTHHS)		50±3°C, 90%±3%RH, 120 hours	
Thermal Shock (Non-operation) (TS)		-20±2°C ~ 25°C ~ 70±2°C (30min) (5min) (30min) 10cycles	
Vibration (Packing)	10~55~10Hz, amplitude 1.5mm, 1 hour for each direction x, y, z	1. One box for each test. 2. No addition to the cosmetic and the electrical defects.	
Drop (Packing)	Height : 1 m, each time for 6 sides, 3 edges, 1 angle		
ESD (finished product housing)	±4kV (R: 330Ω C: 150pF, 10times, air discharge)	1. After testing, cosmetic and electrical defects should not happen. 2. In case of malfunction or defect caused by ESD damage, it would be judged as a good part if it would be recovered to normal state after resetting.	

Note: 1) For each reliability test, the sample quantity is 3, and only for one test item.

2) The HTHHS test is requested the Pure Water(Resistance > 10MΩ).

3) The test should be done after 2 hours of recovery time in normal environment.

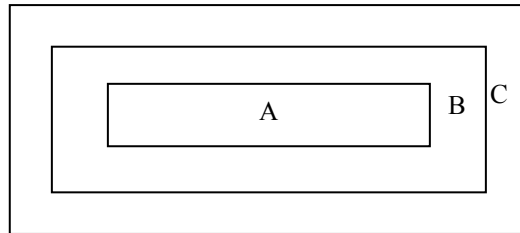
■OUTGOING QUALITY CONTROL SPECIFICATION

◆Standard

According to GB/T2828.1-2003/ISO 2859-1: 1999 and ANSI/ASQC Z1.4-1993, General Inspection Level II.

◆Definition

- 1 Major defect : The defect that greatly affect the usability of product.
- 2 Minor defect : The other defects, such as cosmetic defects, etc.
- 3 Definition of inspection zone:



Zone A: Active Area

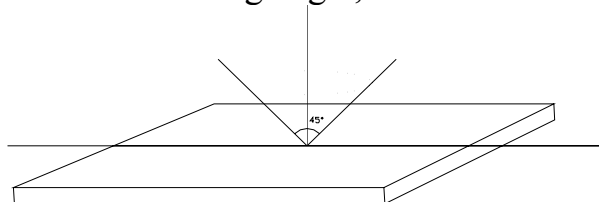
Zone B: Viewing Area except Zone A

Zone C: Outside Viewing Area

Note: As a general rule, visual defects in Zone C are permissible, when it is no trouble of quality and assembly to customer`s product.

◆Inspection Methods

- 1 The general inspection : under 20W x 2 or 40W fluorescent light, about 30cm viewing distance, within 45° viewing angle, under 25±5°C.



- 2 The luminance and color coordinate inspection : By PR705 or BM-7 or the equal equipments, in the dark room, under 25±5°C.

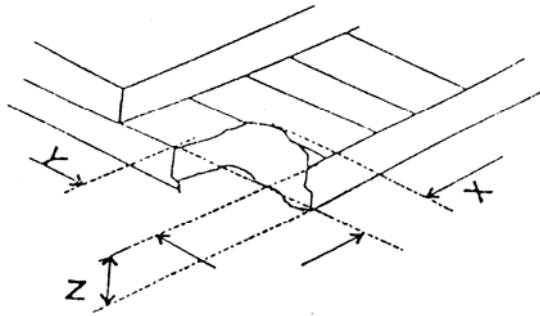
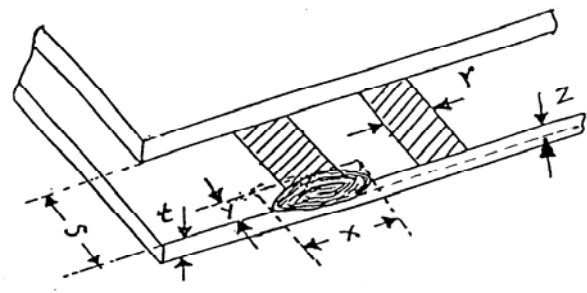
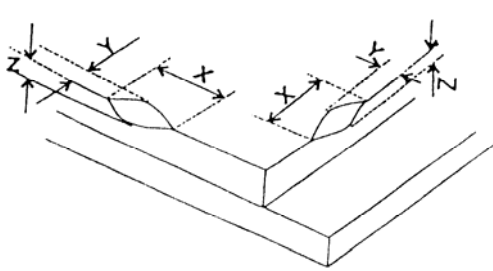
◆Inspection Criteria

- 1 Major defect : AQL= 0.65

Item	Criterion
Function Defect	1. No display or abnormal display is not accepted
	2. Open or short is not accepted.
	3. Power consumption exceeding the spec is not accepted.
Outline Dimension	Outline dimension exceeding the spec is not accepted.
Glass Crack	Glass crack tends to enlarge is not accepted.

- 2 Minor Defect : AQL= 1.5

Item	Criterion			
Spot Defect (dimming and lighting spot)	Size (mm)		Accepted Qty	
			Area A + Area B	Area C
		$\Phi \leq 0.10$	Ignored	
		$0.10 < \Phi \leq 0.15$	3	Ignored
		$0.15 < \Phi \leq 0.20$	1	
$0.20 < \Phi$		0		
Note : $\Phi = (x + y) / 2$				
Line Defect (dimming and lighting line)	L (Length) : mm	W (Width) : mm	Area A + Area B	Area C
	/	$W \leq 0.03$	Ignored	
	$L \leq 3.0$	$0.03 < W \leq 0.05$	2	Ignored
	$L \leq 2.0$	$0.05 < W \leq 0.08$	1	
	/	$0.08 < W$	As spot defect	
Remarks: The total of spot defect and line defect shall not exceed 4 pcs.				
Polarizer Stain	Stain which can be wiped off lightly with a soft cloth or similar cleaning is accepted, otherwise, according to the Spot Defect and the Line Defect.			
Polarizer Scratch	1. If scratch can be seen during operation, according to the criterions of the Spot Defect and the Line Defect.			
	2. If scratch can be seen only under non-operation or some special angle, the criterion is as below :			
	L (Length) : mm	W (Width) : mm	Area A + Area B	Area C
	/	$W \leq 0.03$	Ignore	
	$5.0 < L \leq 10.0$	$0.03 < W \leq 0.05$	2	Ignore
	$L \leq 5.0$	$0.05 < W \leq 0.08$	1	
/	$0.08 < W$	0		
Polarizer Air Bubble	Size		Area A + Area B	Area C
		$\Phi \leq 0.20$	Ignored	
		$0.20 < \Phi \leq 0.50$	2	Ignored
		$0.50 < \Phi \leq 0.80$	1	
		$0.80 < \Phi$	0	

Glass Defect (Glass Chipped)	<p>1. On the corner</p>  <p>(mm)</p> <table border="1" style="margin-left: auto; margin-right: auto;"> <tr> <td>x</td> <td>≤ 2.0</td> </tr> <tr> <td>y</td> <td>$\leq S$</td> </tr> <tr> <td>z</td> <td>$\leq t$</td> </tr> </table>	x	≤ 2.0	y	$\leq S$	z	$\leq t$
	x	≤ 2.0					
	y	$\leq S$					
	z	$\leq t$					
<p>2. On the bonding edge</p>  <p>(mm)</p> <table border="1" style="margin-left: auto; margin-right: auto;"> <tr> <td>x</td> <td>$\leq a / 2$</td> </tr> <tr> <td>y</td> <td>$\leq s / 3$</td> </tr> <tr> <td>z</td> <td>$\leq t$</td> </tr> </table>	x	$\leq a / 2$	y	$\leq s / 3$	z	$\leq t$	
x	$\leq a / 2$						
y	$\leq s / 3$						
z	$\leq t$						
<p>3. On the other edges</p>  <p>(mm)</p> <table border="1" style="margin-left: auto; margin-right: auto;"> <tr> <td>x</td> <td>$\leq a / 5$</td> </tr> <tr> <td>y</td> <td>≤ 1.0</td> </tr> <tr> <td>z</td> <td>$\leq t$</td> </tr> </table>	x	$\leq a / 5$	y	≤ 1.0	z	$\leq t$	
x	$\leq a / 5$						
y	≤ 1.0						
z	$\leq t$						
<p>Note: t: glass thickness ; s: pad width ; a: the length of the edge</p>							
TCP Defect	Crack, deep fold and deep pressure mark on the TCP are not accepted						
Pixel Size	The tolerance of display pixel dimension should be within $\pm 20\%$ of the spec						
Luminance	Refer to the spec or the reference sample						
Color	Refer to the spec or the reference sample						

■ CAUTIONS IN USING OLED MODULE**◆ Precautions For Handling OLED Module:**

1. OLED module consists of glass and polarizer. Pay attention to the following items when handling:
 - i. Avoid drop from high, avoid excessive impact and pressure.
 - ii. Do not touch, push or rub the exposed polarizers with anything harder than an HB pencil lead.
 - iii. If the surface becomes dirty, breathe on the surface and gently wipe it off with a soft dry cloth. If it is terrible dirty, moisten the soft cloth with Isopropyl alcohol or Ethyl alcohol. Other solvents may damage the polarizer. Especially water, Ketone and Aromatic solvents.
 - iv. Wipe off saliva or water drops immediately, contact the polarizer with water over a long period of time may cause deformation.
 - v. Please keep the temperature within specified range for use and storage. Polarization degradation, bubble generation or polarizer peeling-off may occur with high temperature and high humidity.
 - vi. Condensation on the surface and the terminals due to cold or anything will damage, stain or dirty the polarizer, so make it clean as the way of iii.
2. Do not attempt to disassemble or process the OLED Module.
3. Make sure the TCP or the FPC of the Module is free of twisting, warping and distortion, do not pull or bend them forcefully, especially the soldering pins. On the other side, the SLIT part of the TCP is made to bend in the necessary case.
4. When assembling the module into other equipment, give the glass enough space to avoid excessive pressure on the glass, especially the glass cover which is much more fragile.
5. Be sure to keep the air pressure under 120 kPa, otherwise the glass cover is to be cracked.
6. Be careful to prevent damage by static electricity:
 - i. Be sure to ground the body when handling the OLED Modules.
 - ii. All machines and tools required for assembling, such as soldering irons, must be properly grounded.
 - iii. Do not assemble and do no other work under dry conditions to reduce the amount of static electricity generated. A relative humidity of 50%-60% is recommended.
 - iv. Peel off the protective film slowly to avoid the amount of static electricity generated.
 - v. Avoid to touch the circuit, the soldering pins and the IC on the Module by the body.
 - vi. Be sure to use anti-static package.
7. Contamination on terminals can cause an electrochemical reaction and corrode the terminal circuit, so make it clean anytime.
8. All terminals should be open, do not attach any conductor or semiconductor on the terminals.
9. When the logic circuit power is off, do not apply the input signals.
10. Power on sequence: $V_{DD} \rightarrow V_{PP}$, and power off sequence: $V_{PP} \rightarrow V_{DD}$.
11. Be sure to keep temperature, humidity and voltage within the ranges of the spec, otherwise shorten Module's life time, even make it damaged.
12. Be sure to drive the OLED Module following the Specification and datasheet of IC controller, otherwise something wrong may be seen.

13. When displaying images, keep them rolling, and avoid one fixed image displaying more than 30 seconds, otherwise the residue image is to be seen. This is the speciality of OLED.

◆ **Precautions For Soldering OLED Module:**

1. Soldering temperature : $260^{\circ}\text{C} \pm 10^{\circ}\text{C}$.
2. Soldering time : 3-4 sec.
3. Repeating time : no more than 3 times.
4. If soldering flux is used, be sure to remove any remaining flux after finishing soldering operation. (This does not apply in the case of a non-halogen type of flux.) It is recommended to protect the surface with a cover during soldering to prevent any damage due to flux spatters.

◆ **Precautions For Storing OLED Module:**

1. Be sure to store the OLED Module in the vacuum bag with dessicant.
2. If the Module can not be used up in 1 month after the bag being opened, make sure to seal the Module in the vacuum bag with dessicant again.
3. Store the Module in a dark place, do not expose to sunlight or fluorescent light.
4. The polarizer surface should not touch any other objects. It is recommended to store the Module in the shipping container.
5. It is recommended to keep the temperature between 0°C and 30°C , the relative humidity not over 60%.

◆ **Limited Warranty**

Unless relevant quality agreements signed with customer and law enforcement, Since March 20, 2008, for a period of 12 months from date of production, all products (except automotive products) TRULY will replace or repair any of its OLED modules which are found to be functional defect when inspected in accordance with TRULY OLED acceptance standards (copies available upon request). Cosmetic/visual defects must be returned to TRULY within 90 days of shipment. Confirmation of such date should be based on freight documents. The warranty liability of TRULY is limited to repair and/or replacement on the terms above. TRULY will not be responsible for any subsequent or consequential events.

◆ **Return OLED Module Under Warranty:**

1. No warranty in the case that the precautions are disregarded.
2. Module repairs will be invoiced to the customer upon mutual agreement. Modules must be returned with sufficient description of the failures or defects.