

SPECIFICATION

PART NO. : TOD9M0041-G-E

OLED
128X64

1.02"



This specification maybe changed without any notice in order to improve performance or quality etc.

Please contact TRULY Semiconductors LTD. OLED R&D department for update specification and product status before design for this product or release the order.

PRODUCT CONTENTS

- PHYSICAL DATA
- ABSOLUTE MAXIMUM RATINGS
- EXTERNAL DIMENSIONS
- ELECTRICAL CHARACTERISTICS
- TIMING OF POWER SUPPLY
- ELECTRO-OPTICAL CHARACTERISTICS
- INTERFACE PIN CONNECTIONS
- COMMAND TABLE
- INITIALIZATION CODE
- SCHEMATIC EXAMPLE
- RELIABILITY TESTS
- OUTGOING QUALITY CONTROL SPECIFICATION
- CAUTIONS IN USING OLED MODULE

| | | | |
|--------------------|---------------------|--------------------|--|
| TRULY®信利 | | Customer | |
| Written by | Hujiabin | Approved by | |
| Checked by | Zhangweicang | | |
| Approved by | Sujunhai | | |

REVISION HISTORY

| Rev. | Contents | Date |
|------|-------------|-----------|
| 0.0 | Preliminary | 2008-7-21 |
| | | |

■ PHYSICAL DATA

| No. | Items: | Specification: | Unit |
|-----|---------------------------|---------------------|-------|
| 1 | Diagonal Size | 1.02 | Inch |
| 2 | Resolution | 128(H) x 64(V) | Lines |
| 3 | Active Area | 23.02(W) x 11.86(H) | mm |
| 4 | Outline Dimension (Panel) | 30.00(W) x 20.16(H) | mm |
| 5 | Pixel Pitch | 0.180(W) x 0.180(H) | mm |
| 6 | Pixel Size | 0.160(W) x 0.160(H) | mm |
| 7 | Driver IC | SH1101A | - |
| 8 | Display Color | Green | - |
| 9 | Grayscale | 1 | Bit |
| 10 | Interface | Parallel / Serial | - |
| 11 | IC package type | COG | - |
| 12 | Thickness | 1.5±0.1 | mm |
| 13 | Weight | <2.0 | g |
| 14 | Duty | 1/64 | - |

■ ABSOLUTE MAXIMUM RATINGS

 Unless otherwise specified, $V_{SS} = 0V$

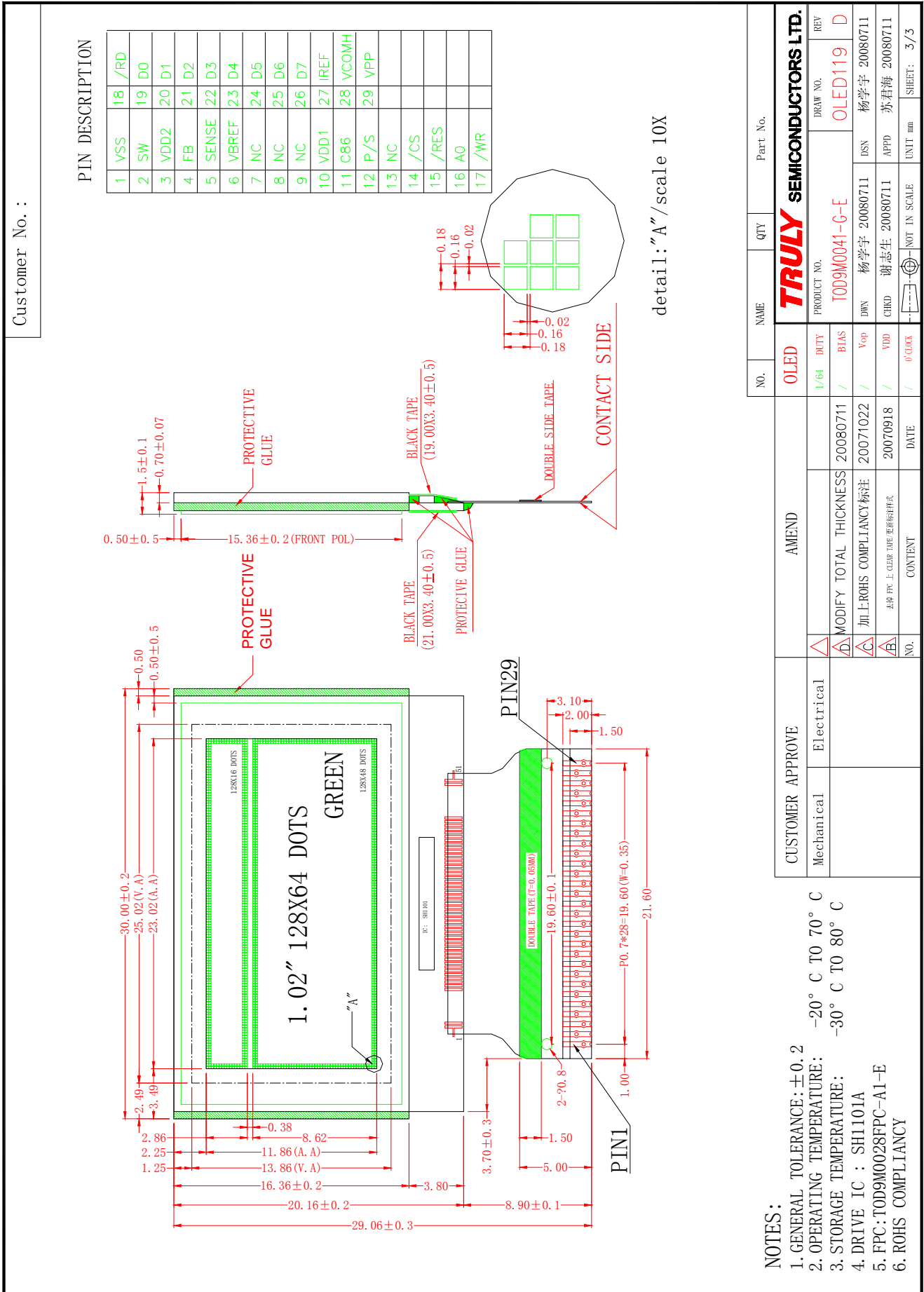
 ($T_a = 25^{\circ}C$)

| Items | | Symbol | Min | Typ. | Max | Unit |
|-----------------------|---------|----------|------|------|------|-------------|
| Supply Voltage | Logic | V_{DD} | -0.3 | - | 3.6 | V |
| | Driving | V_{PP} | -0.3 | - | 18.0 | V |
| Operating Temperature | | T_{op} | -20 | - | 70 | $^{\circ}C$ |
| Storage Temperature | | T_{st} | -30 | - | 80 | $^{\circ}C$ |
| Humidity | | - | - | - | 90 | %RH |

NOTE:

Permanent device damage may occur if **ABSOLUTE MAXIMUM RATINGS** are exceeded. Functional operation should be restricted to the conditions as detailed in the operational sections of this data sheet. Exposure to absolute maximum rating conditions for extended periods may affect reliability.

EXTERNAL DIMENSIONS



■ **ELECTRICAL CHARACTERISTICS**

◆ **DC Characteristics**

Unless otherwise specified, $V_{SS} = 0V$, $V_{DD} = 2.4V$ to $3.5V$ ($T_a = 25^\circ C$)

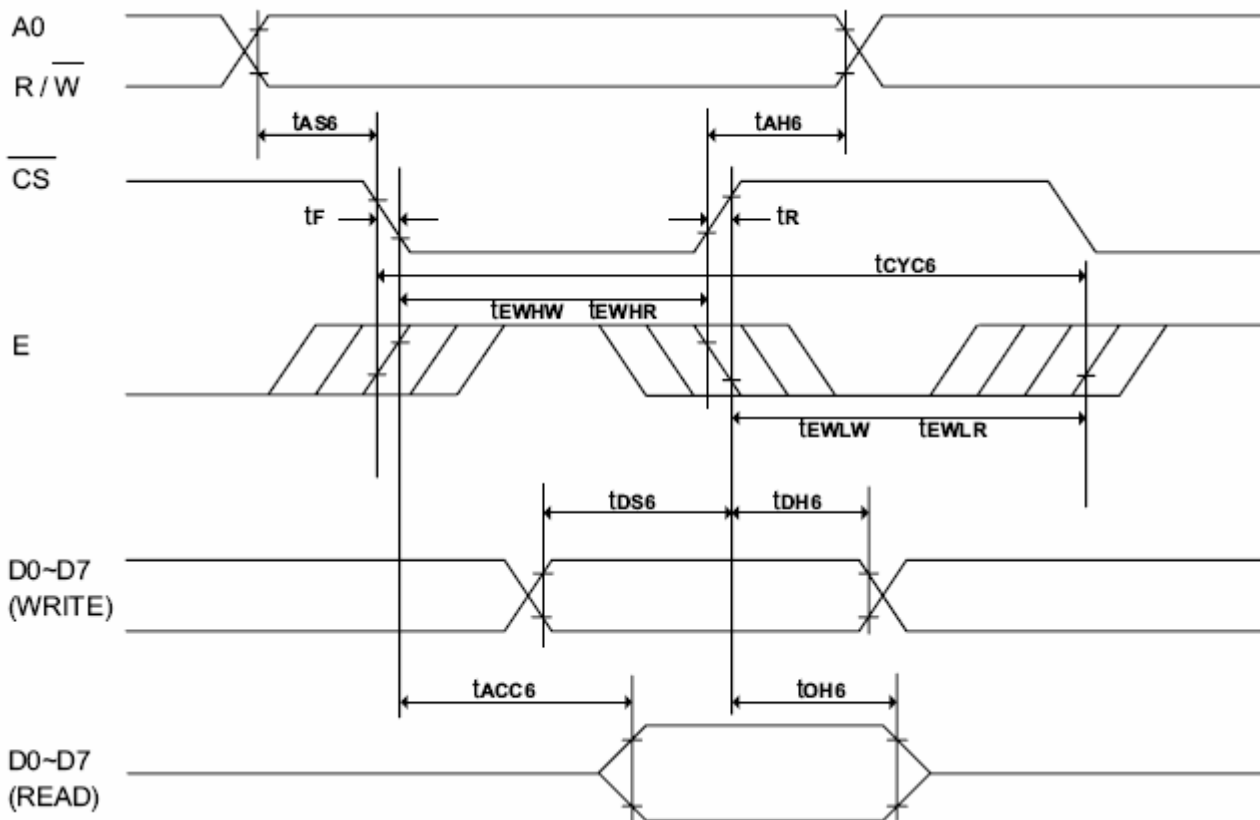
| Items | | Symbol | Min | Typ. | Max | Unit |
|----------------|--------------|----------|---------------------|------|---------------------|------|
| Supply Voltage | Logic | V_{DD} | 2.4 | 3.0 | 3.5 | V |
| | Operating | V_{PP} | 7.0 | 13.0 | 16.0 | V |
| Input Voltage | High Voltage | V_{IH} | $0.8 \times V_{DD}$ | - | V_{DD} | V |
| | Low Voltage | V_{IL} | V_{SS} | - | $0.2 \times V_{DD}$ | V |
| Output Voltage | High Voltage | V_{OH} | $0.8 \times V_{DD}$ | - | V_{DD} | V |
| | Low Voltage | V_{OL} | V_{SS} | - | $0.2 \times V_{DD}$ | V |

◆ AC Characteristics

Use 8080/6800-Series MPU Parallel Interface or Serial Interface

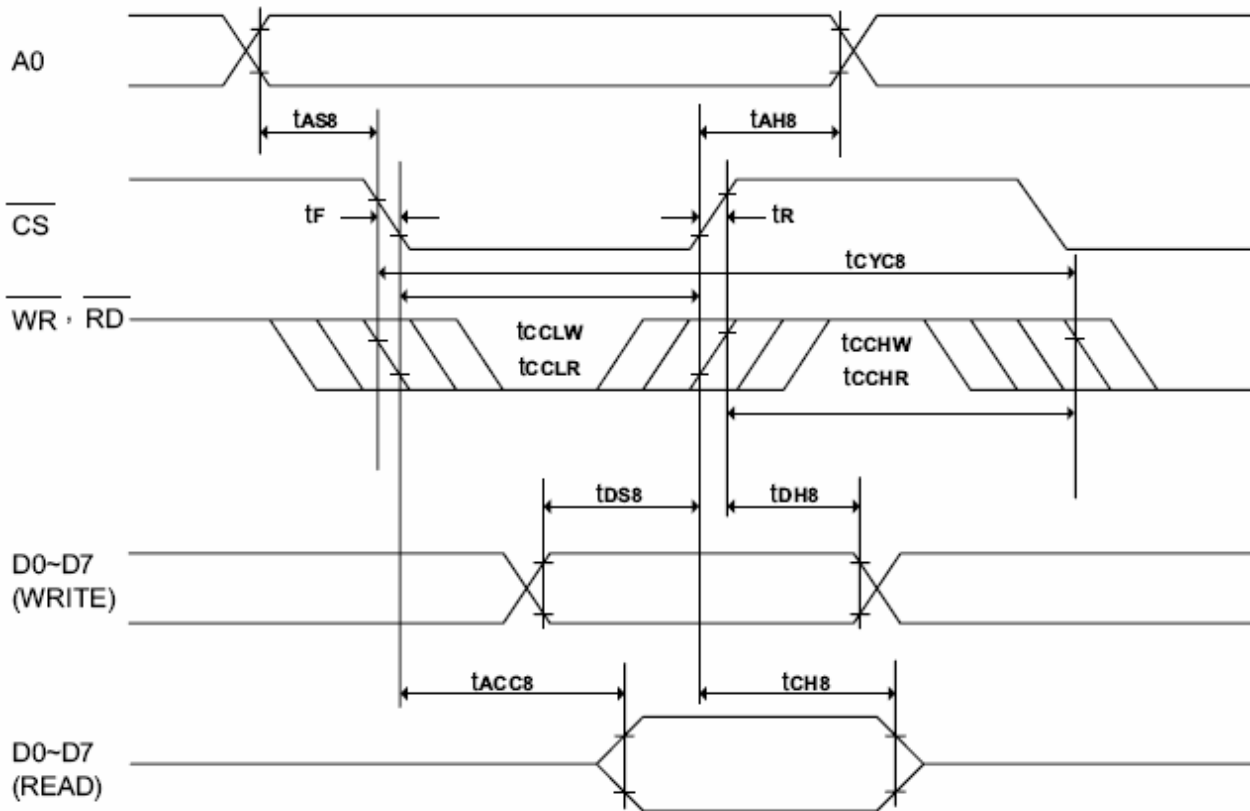
1. 6800 Series MPU Parallel Interface

| Symbol | Parameter | Min. | Typ. | Max. | Unit | Condition |
|--------|------------------------------|------|------|------|------|-----------|
| tCYC6 | System cycle time | 300 | - | - | ns | |
| tAS6 | Address setup time | 0 | - | - | ns | |
| tAH6 | Address hold time | 0 | - | - | ns | |
| tDS6 | Data setup time | 40 | - | - | ns | |
| tDH6 | Data hold time | 15 | - | - | ns | |
| tOH6 | Output disable time | 10 | - | 70 | ns | CL=100pF |
| tACC6 | Access time | - | - | 140 | ns | CL=100pF |
| tEWHW | Enable H pulse width (Write) | 100 | - | - | ns | |
| tEWHR | Enable H pulse width (Read) | 120 | - | - | ns | |
| tEWLW | Enable L pulse width (Write) | 100 | - | - | ns | |
| tEWLR | Enable L pulse width (Read) | 100 | - | - | ns | |
| tR | Rise time | - | - | 15 | ns | |
| tF | Fall time | - | - | 15 | ns | |



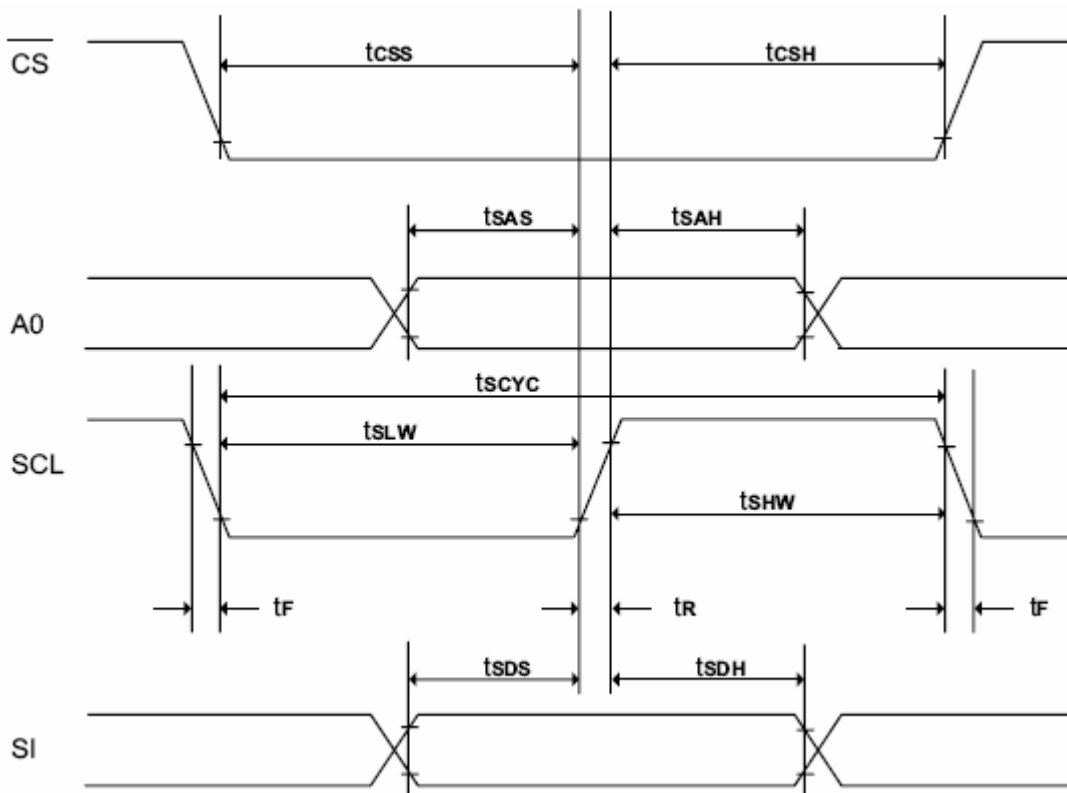
2. 8080 Series MPU Parallel Interface

| Symbol | Parameter | Min. | Typ. | Max. | Unit | Condition |
|--------|-----------------------------|------|------|------|------|-----------|
| tCYC8 | System cycle time | 300 | - | - | ns | |
| tAS8 | Address setup time | 0 | - | - | ns | |
| tAH8 | Address hold time | 0 | - | - | ns | |
| tDS8 | Data setup time | 40 | - | - | ns | |
| tDH8 | Data hold time | 15 | - | - | ns | |
| tCH8 | Output disable time | 10 | - | 70 | ns | CL=100pF |
| tACC8 | \overline{RD} access time | - | - | 140 | ns | CL=100pF |
| tCCLW | Control L pulse width (WR) | 100 | - | - | ns | |
| tCCLR | Control L pulse width (RD) | 120 | - | - | ns | |
| tCCHW | Control H pulse width (WR) | 100 | - | - | ns | |
| tCCHR | Control H pulse width (RD) | 100 | - | - | ns | |
| tR | Rise time | - | - | 15 | ns | |
| tF | Fall time | - | - | 15 | ns | |

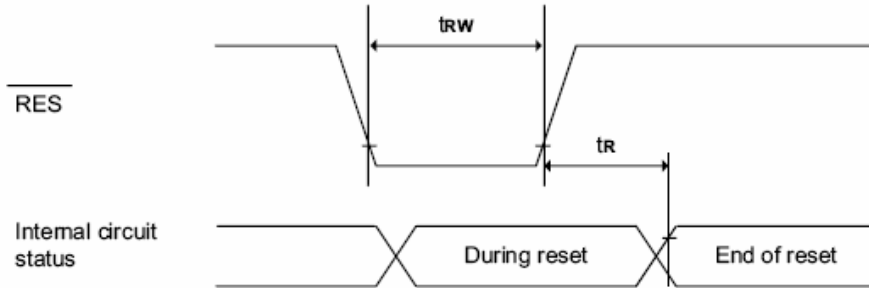


3. Serial Interface

| Symbol | Parameter | Min. | Typ. | Max. | Unit | Condition |
|--------|--------------------------------|------|------|------|------|-----------|
| Tscyc | Serial clock cycle | 250 | - | - | ns | |
| TsAS | Address setup time | 150 | - | - | ns | |
| TsAH | Address hold time | 150 | - | - | ns | |
| TsDS | Data setup time | 100 | - | - | ns | |
| TsDH | Data hold time | 100 | - | - | ns | |
| TcSS | \overline{CS} setup time | 120 | - | - | ns | |
| TcSH | \overline{CS} hold time time | 60 | - | - | ns | |
| Tshw | Serial clock H pulse width | 100 | - | - | ns | |
| Tslw | Serial clock L pulse width | 100 | - | - | ns | |
| tR | Rise time | - | - | 15 | ns | |
| tF | Fall time | - | - | 15 | ns | |



4. Reset Timing



(VDD1=2.4 – 3.5V, TA =25°C)

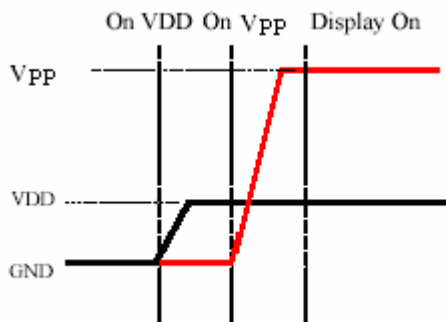
| Symbol | Parameter | Min. | Typ. | Max. | Unit | Condition |
|--------|-----------------------|------|------|------|------|-----------|
| TR | Reset time | - | - | 1.0 | μs | |
| TRW | Reset low pulse width | 5.0 | - | - | μs | |

■ TIMING OF POWER SUPPLY

To Protect OLED panel and extend the panel life time, the driver IC power up/down routine should include a delay period between high voltage and low voltage power sources turn on/off.

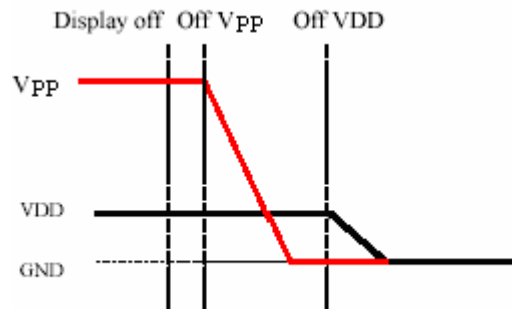
Power up Sequence:

1. Power up V_{DD}
2. Delay 100ms
3. Power up V_{PP} (High Voltage)
4. Delay 100ms
5. Send Display ON command



Power down Sequence:

1. Send Display OFF command
2. Power down V_{PP}(High Voltage)
3. Delay 100ms
4. Power down V_{DD}



■ **ELECTRO-OPTICAL CHARACTERISTICS (Ta=25°C)**

| Items | Symbol | Min. | Typ. | Max. | Unit | Remark | |
|--------------------------|--------|---------|------|------|--------------------|--|----------|
| Operating Luminance | L | 50 | 60* | - | cd /m ² | Green | |
| Power Consumption | P | - | 40 | 50 | mW | 30% pixels ON L=60cd/m ² | |
| Frame Frequency | Fr | - | 100 | - | Hz | | |
| Color Coordinate | GREEN | CIE x | 0.27 | 0.31 | 0.35 | CIE1931 | Darkroom |
| | | CIE y | 0.58 | 0.62 | 0.66 | | |
| Response Time | Rise | Tr | - | - | 0.02 | ms | - |
| | Decay | Td | - | - | 0.02 | ms | - |
| Contrast Ratio* | Cr | 10000:1 | - | - | | Darkroom | |
| Viewing Angle Uniformity | △ θ | 160 | - | - | Degree | - | |
| Operating Life Time* | Top | 100,000 | - | - | Hours | L=60cd/m ² | |

Note:

1. **60cd/m²** is base on V_{DD}=3.0V, V_{PP}=13.0V, contrast command setting 0x4F;
2. **Contrast ratio** is defined as follows:

$$\text{Contrast ratio} = \frac{\text{Photo – detector output with OLED being “white”}}{\text{Photo – detector output with OLED being “black”}}$$

3. **Life Time** is defined when the Luminance has decayed to less than 50% of the initial Luminance specification. (30% pixels scrolling display on)
(The initial value should be closed to the typical value after adjusting.)

■ INTERFACE PIN CONNECTIONS

| No | Symbol | Description |
|----|--------|--|
| 1 | VSS | Ground |
| 2 | SW | Driving the gate of the external NMOS of the booster circuit |
| 3 | VDD2 | Voltage supply for the booster circuit |
| 4 | FB | A feedback voltage for the booster circuit |
| 5 | SENSE | A source current pad of the external NMOS of the booster circuit |
| 6 | VBREF | Internal voltage reference pad for the booster circuit |
| 7 | NC | No connection |
| 8 | NC | No connection |
| 9 | NC | No connection |
| 10 | VDD1 | Logic voltage supply for IC |
| 11 | C86 | It is the MPU interface switched pad(L:6800; H:8080) |
| 12 | P/S | It is a switch to select the input data to parallel or series |
| 13 | NC | No connection |
| 14 | /CS | The chip select pin. Low is enabled |
| 15 | /RES | MCU control or RC for low pulse start up |
| 16 | A0 | The chip select pin. Low is enabled |
| 17 | /WR | MCU interface input pin |
| 18 | /RD | MCU interface input pin |
| 19 | D0 | Data bus or SCLK in Serial mode |
| 20 | D1 | Data bus or SI in Serial mode |
| 21 | D2 | Data bus or High impedance in Serial mode |
| 22 | D3 | Data bus or High impedance in Serial mode |
| 23 | D4 | Data bus or High impedance in Serial mode |
| 24 | D5 | Data bus or High impedance in Serial mode |
| 25 | D6 | Data bus or High impedance in Serial mode |
| 26 | D7 | Data bus or High impedance in Serial mode |
| 27 | IREF | Current reference pin |
| 28 | VCOMH | High level voltage output of COM signal |
| 29 | VPP | High voltage supply for OLED panel |

■ **COMMAND TABLE**

| Command | Code | | | | | | | | | | | Function |
|--|------|-----------------|-----------------|---------------|----|-----------------|----|-----------------------|----|----|--|--|
| | A0 | \overline{RD} | \overline{WR} | D7 | D6 | D5 | D4 | D3 | D2 | D1 | D0 | |
| 1. Set Column Address 4 lower bits | 0 | 1 | 0 | 0 | 0 | 0 | 0 | Lower column address | | | | Sets 4 lower bits of column address of display RAM in register. (POR = 00H) |
| 2. Set Column Address 4 higher bits | 0 | 1 | 0 | 0 | 0 | 0 | 1 | Higher column address | | | | Sets 4 higher bits of column address of display RAM in register. (POR = 10H) |
| 3. Reserved Command | 0 | 1 | 0 | 0 | 0 | 1 | 0 | 0 | 1 | 0 | 0 | Reserved |
| 4. Reserved Command | 0 | 1 | 0 | 0 | 0 | 1 | 0 | 0 | 1 | 1 | 0 | Reserved |
| 5. Reserved Command | 0 | 1 | 0 | 0 | 0 | 1 | 0 | 1 | 1 | 1 | D | Reserved |
| 6. Set Display Start Line | 0 | 1 | 0 | 0 | 1 | Line address | | | | | Specifies RAM display line for COM0. (POR = 40H) | |
| 7. The Contrast Control Mode Set | 0 | 1 | 0 | 1 | 0 | 0 | 0 | 0 | 0 | 0 | 1 | This command is to set Contrast Setting of the display. |
| Contrast Data Register Set | 0 | 1 | 0 | Contrast Data | | | | | | | The chip has 256 contrast steps from 00 to FF. (POR = 80H) | |
| 8. Set Segment Re-map (ADC) | 0 | 1 | 0 | 1 | 0 | 1 | 0 | 0 | 0 | 0 | ADC | The right (0) or left (1) rotation. (POR = A0H) |
| 9. Set Entire Display OFF/ON | 0 | 1 | 0 | 1 | 0 | 1 | 0 | 0 | 1 | 0 | D | Selects normal display (0) or Entire Display ON (1). (POR = A4H) |
| 10. Set Normal/Reverse Display | 0 | 1 | 0 | 1 | 0 | 1 | 0 | 0 | 1 | 1 | D | Normal indication (0) when low, but reverse indication (1) when high. (POR = A6H) |
| 11. Multiplex Ration Mode Set | 0 | 1 | 0 | 1 | 0 | 1 | 0 | 1 | 0 | 0 | 0 | This command switches default 63 multiplex mode to any multiplex ratio from 1 to 64. (POR = 3FH) |
| Multiplex Ration Data Set | 0 | 1 | 0 | * | * | Multiplex Ratio | | | | | | |
| 12. DC-DC Control Mode Set | 0 | 1 | 0 | 1 | 0 | 1 | 0 | 1 | 1 | 0 | 1 | This command is to control the DC-DC voltage DC-DC will be turned on when display on converter (1) or DC-DC OFF (0). (POR = 8BH) |
| DC-DC ON/OFF Mode Set | 0 | 1 | 0 | 1 | 0 | 0 | 0 | 1 | 0 | 1 | D | |

| Command | Code | | | | | | | | | | | Function |
|--|------|-----------------|-----------------|---------------------------------|--------|------|----|-------------------|----|----|----|--|
| | A0 | \overline{RD} | \overline{WR} | D7 | D6 | D5 | D4 | D3 | D2 | D1 | D0 | |
| 13. Display OFF/ON | 0 | 1 | 0 | 1 | 0 | 1 | 0 | 1 | 1 | 1 | D | Turns on OLED panel (1) or turns off (0). (POR = AEH) |
| 14. Set Page Address | 0 | 1 | 0 | 1 | 0 | 1 | 1 | Page Address | | | | Specifies page address to load display RAM data to page address register. (POR = B0H) |
| 15. Set Common Output Scan Direction | 0 | 1 | 0 | 1 | 1 | 0 | 0 | D | * | * | * | Scan from COM0 to COM [N - 1] (0) or Scan from COM [N - 1] to COM0 (1). (POR = C0H) |
| 16. Display Offset Mode Set | 0 | 1 | 0 | 1 | 1 | 0 | 1 | 0 | 0 | 1 | 1 | This is a double byte command which specifies the mapping of display start line to one of COM0-63. (POR = 00H) |
| Display Offset Data Set | 0 | 1 | 0 | * | * | COMx | | | | | | |
| 17. Set Display Divide Ratio/Oscillator Frequency Mode Set | 0 | 1 | 0 | 1 | 1 | 0 | 1 | 0 | 1 | 0 | 1 | This command is used to set the frequency of the internal display clocks. (POR = 50H) |
| Divide Ratio/Oscillator Frequency Data Set | 0 | 1 | 0 | Oscillator Frequency | | | | Divide Ratio | | | | |
| 18. Dis-charge / Pre-charge Period Mode Set | 0 | 1 | 0 | 1 | 1 | 0 | 1 | 1 | 0 | 0 | 1 | This command is used to set the duration of the dis-charge and pre-charge period. (POR = 22H) |
| Dis-charge /Pre-charge Period Data Set | 0 | 1 | 0 | Dis-charge Period | | | | Pre-charge Period | | | | |
| 19. Common Pads Hardware Configuration Mode Set | 0 | 1 | 0 | 1 | 1 | 0 | 1 | 1 | 0 | 1 | 0 | This command is to set the common signals pad configuration. (POR = 12H) |
| Sequential/Alternative Mode Set | 0 | 1 | 0 | 0 | 0 | 0 | D | 0 | 0 | 1 | 0 | |
| 20. VCOM Deselect Level Mode Set | 0 | 1 | 0 | 1 | 1 | 0 | 1 | 1 | 0 | 1 | 1 | This command is to set the common pad output voltage level at deselect stage. (POR = 35H) |
| VCOM Deselect Level Data Set | 0 | 1 | 0 | VCOM ($\beta \times V_{REF}$) | | | | | | | | |
| 21. Read-Modify-Write | 0 | 1 | 0 | 1 | 1 | 1 | 0 | 0 | 0 | 0 | 0 | Read-Modify-Write start. |
| 22. End | 0 | 1 | 0 | 1 | 1 | 1 | 0 | 1 | 1 | 1 | 0 | Read-Modify-Write end. |
| 23. NOP | 0 | 1 | 0 | 1 | 1 | 1 | 0 | 0 | 0 | 1 | 1 | Non-Operation Command |
| 24. Write Display Data | 1 | 1 | 0 | Write RAM data | | | | | | | | |
| 25. Read Status | 0 | 0 | 1 | BUSY | ON/OFF | * | * | * | 0 | 0 | 0 | |
| 26. Read Display Data | 1 | 0 | 1 | Read RAM data | | | | | | | | |

Note: Do not use any other command, or the system malfunction may result.

■ INITIALIZATION CODE

```
Void init_oled()
{
    WOLEDCOM(0xAE);    //DOT MARTIX DISPLAY OFF

    WOLEDCOM(0x40);    //SET DISPLAY START LINE(40H-7FH)

    WOLEDCOM(0xA1);    //SET SEGMENT RE-MAP(0A0H-0A1H)

    WOLEDCOM(0xA4);    //ENTIRE DISPLAY OFF(0A4H-0A5H)

    WOLEDCOM(0xA6);    //SET NORMAL DISPLAY(0A6H-0A7H)

    WOLEDCOM(0xC8);    //COM SCAN COM1-COM64(0C8H,0C0H)

    WOLEDCOM(0xA8);    //SET MULTIPLEX RATIO 64
    WOLEDCOM(0x3F);

    WOLEDCOM(0xD3);    //SET DISPLAY OFFSET(OOH-3FH)
    WOLEDCOM(0x00);

    WOLEDCOM(0xD5);    //SET FRAME FREQUENCY
    WOLEDCOM(0x50);    //100Hz

    WOLEDCOM(0xD9);    //SET DIS-/PRE- _CHARGE PERIOD
    WOLEDCOM(0x23);

    WOLEDCOM(0xDA);    //COM PIN CONFIGURATION(02H,12H)
    WOLEDCOM(0x12);

    WOLEDCOM(0xDB);    //SET VCOM DESELECT LEVEL(035H)
    WOLEDCOM(0x35);

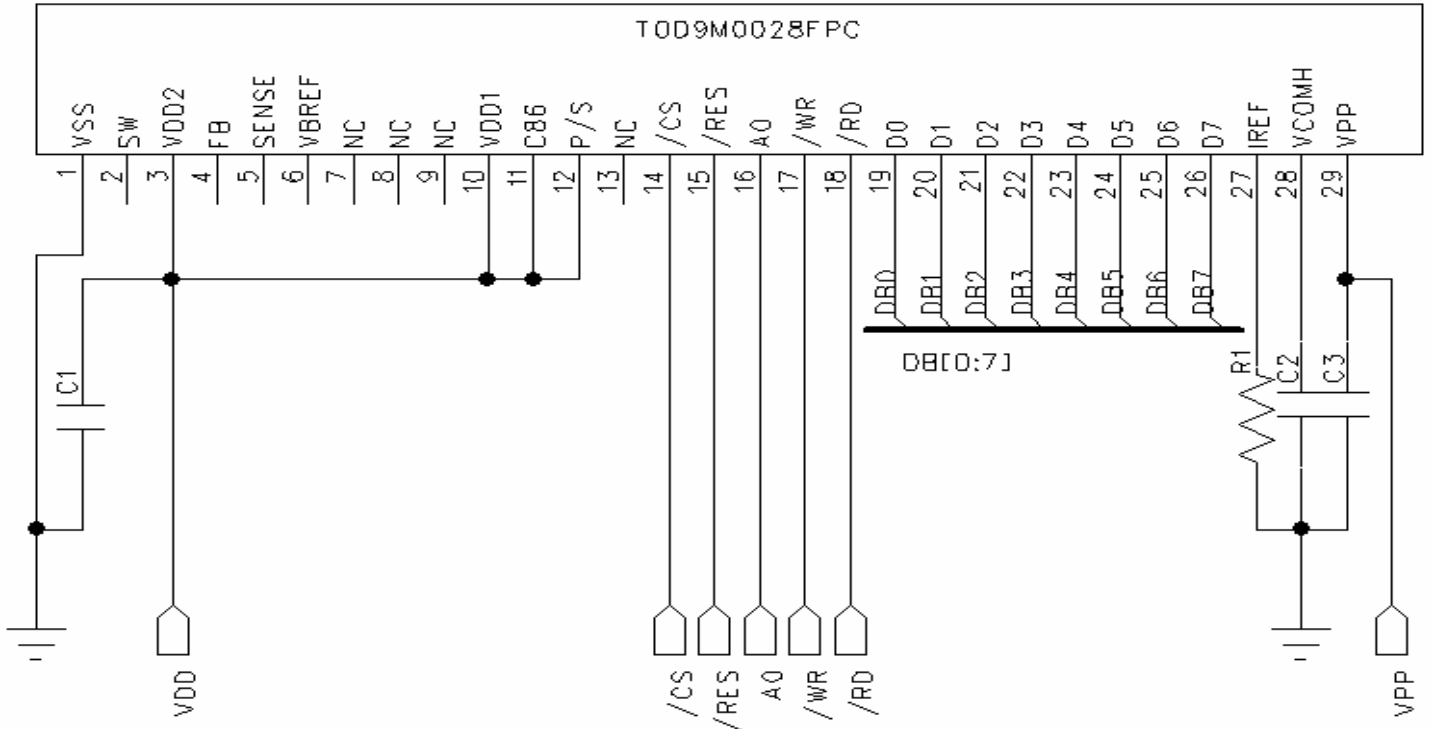
    WOLEDCOM(0x81);    //CONTARST CONTROL(00H-0FFH)
    WOLEDCOM(0x4F);

    WOLEDCOM(0xAD);    //SET DC/DC BOOSTER(8AH=OFF,8BH=ON)
    WOLEDCOM(0x8A);

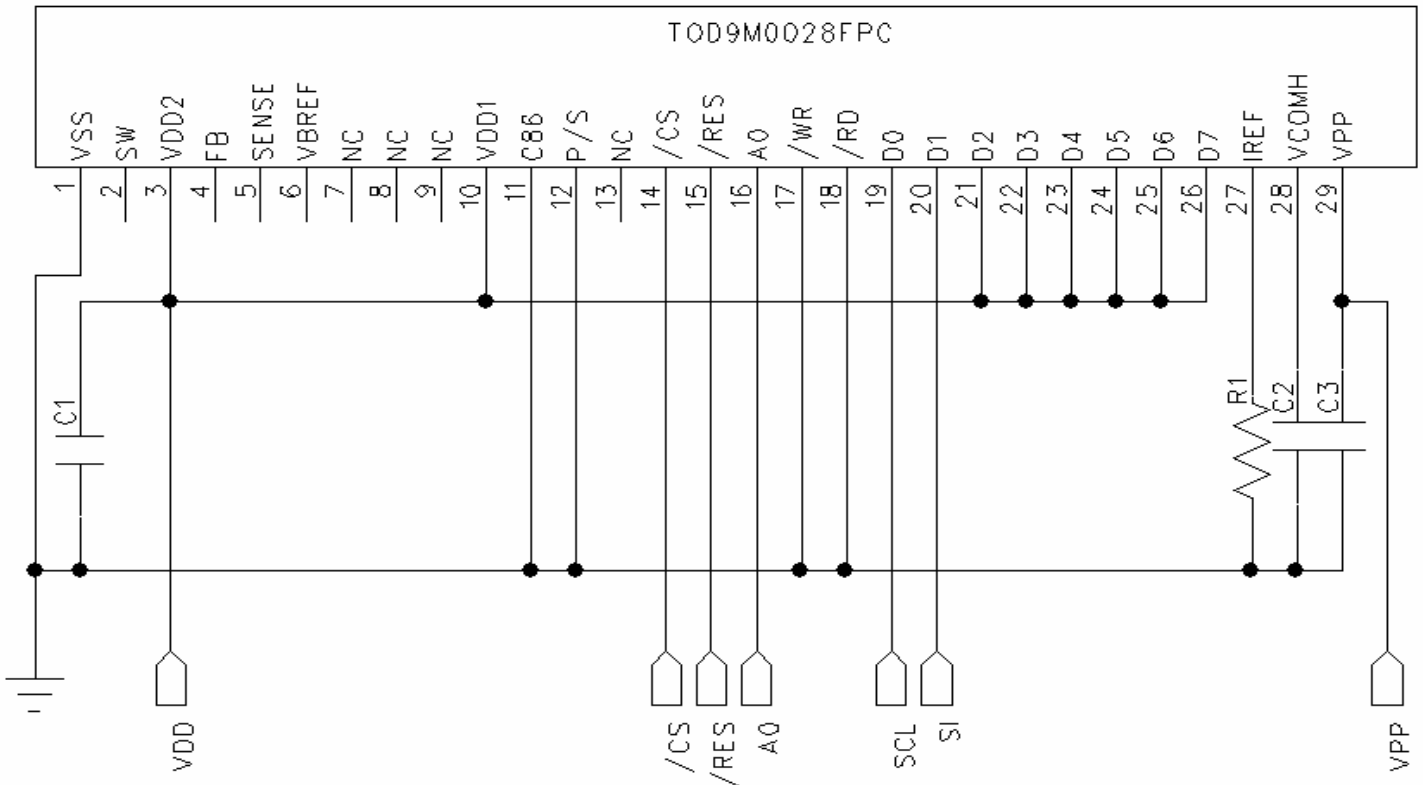
    WOLEDCOM(0xAF);    //DSPLAY ON
}
```

■ SCHEMATIC EXAMPLE

◆ 8080 Series Interface Application Circuit(External $V_{PP}=13.0V$):



◆ Serial Interface Application Circuit(External $V_{PP}=13.0V$):



NOTE:

1. $R1=(V_{PP}-3)V/10\mu A=(13-3)V/10\mu A \approx 1M\Omega, C1=C2=C3=4.7\mu F$;
2. The V_{PP} should connect a external voltage;
3. VBREF、SENCE、FB and SW pin should be open;
4. In Serial interface mode ,the read function is not possible.

■ **RELIABILITY TESTS**

| Item | | Condition | Criterion |
|---|--|---|---|
| High Temperature Storage (HTS) | | 80±2℃, 200 hours | 1. After testing, the function test is ok. 2. After testing, no addition to the defect. 3. After testing, the change of luminance should be within +/- 50% of initial value. 4. After testing, the change for the mono and area color must be within (+/-0.02, +/- 0.02) and for the full color it must be within (+/-0.04, +/-0.04) of initial value based on 1931 CIE coordinates. 5. After testing, the change of total current consumption should be within +/- 50% of initial value. |
| High Temperature Operating (HTO) | | 70±2℃, 96 hours | |
| Low Temperature Storage (LTS) | | -30±2℃, 200 hours | |
| Low Temperature Operating (LTO) | | -20±2℃, 96 hours | |
| High Temperature / High Humidity Storage (HTHHS) | | 50±3℃, 90%±3%RH, 120 hours | |
| Thermal Shock (Non-operation) (TS) | | -20±2℃ ~ 25℃ ~ 70±2℃ (30min) (5min) (30min) 10cycles | |
| Vibration (Packing) | 10~55~10Hz, amplitude 1.5mm, 1 hour for each direction x, y, z | 1. One box for each test. 2. No addition to the cosmetic and the electrical defects. | |
| Drop (Packing) | Height : 1 m, each time for 6 sides, 3 edges, 1 angle | | |
| ESD (finished product housing) | ±4kV (R: 330Ω C: 150pF, 10times, air discharge) | 1. After testing, cosmetic and electrical defects should not happen. 2. In case of malfunction or defect caused by ESD damage, it would be judged as a good part if it would be recovered to normal state after resetting. | |

Note: 1) For each reliability test, the sample quantity is 3, and only for one test item.

2) The HTHHS test is requested the Pure Water(Resistance>10MΩ).

3) The test should be done after 2 hours of recovery time in normal environment.

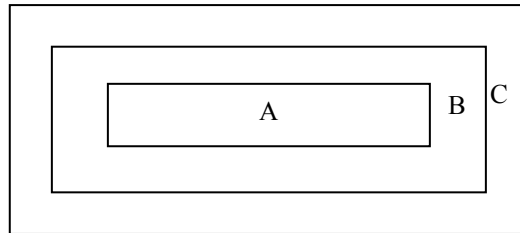
■OUTGOING QUALITY CONTROL SPECIFICATION

◆Standard

According to GB/T2828.1-2003/ISO 2859-1: 1999 and ANSI/ASQC Z1.4-1993, General Inspection Level II.

◆Definition

- 1 Major defect : The defect that greatly affect the usability of product.
- 2 Minor defect : The other defects, such as cosmetic defects, etc.
- 3 Definition of inspection zone:



Zone A: Active Area

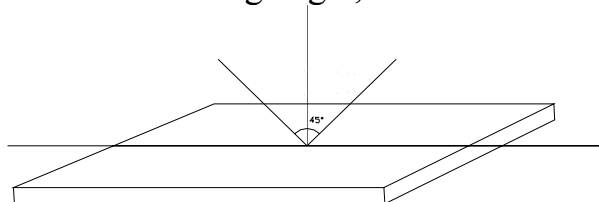
Zone B: Viewing Area except Zone A

Zone C: Outside Viewing Area

Note: As a general rule, visual defects in Zone C are permissible, when it is no trouble of quality and assembly to customer`s product.

◆Inspection Methods

- 1 The general inspection : under 20W x 2 or 40W fluorescent light, about 30cm viewing distance, within 45° viewing angle, under 25±5°C.



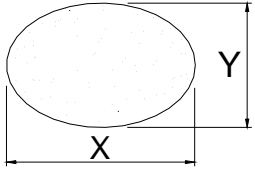
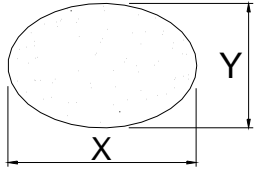
- 2 The luminance and color coordinate inspection : By PR705 or BM-7 or the equal equipments, in the dark room, under 25±5°C.

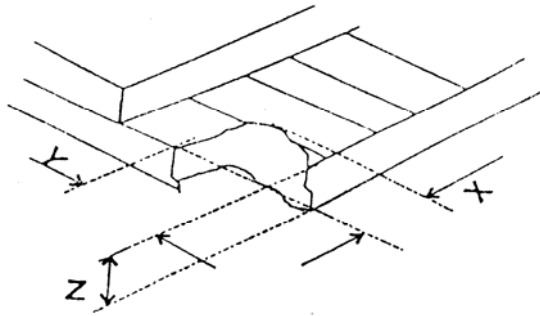
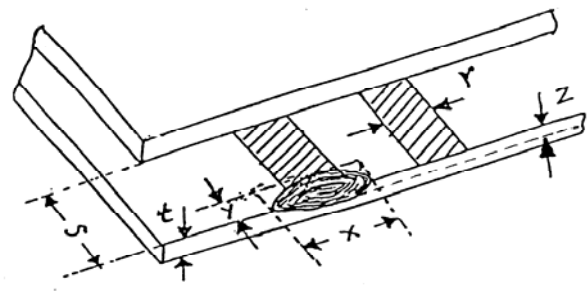
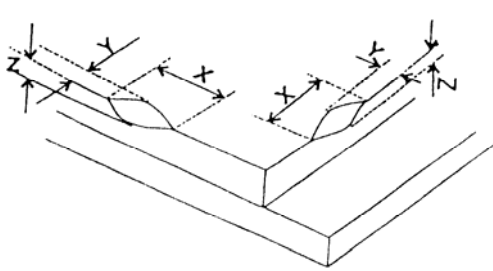
◆Inspection Criteria

- 1 Major defect : AQL= 0.65

| Item | Criterion |
|-------------------|--|
| Function Defect | 1. No display or abnormal display is not accepted |
| | 2. Open or short is not accepted. |
| | 3. Power consumption exceeding the spec is not accepted. |
| Outline Dimension | Outline dimension exceeding the spec is not accepted. |
| Glass Crack | Glass crack tends to enlarge is not accepted. |

- 2 Minor Defect : AQL= 1.5

| Item | Criterion | | | |
|---|--|-------------------------|-----------------|---------|
| Spot Defect (dimming and lighting spot) | Size (mm) | | Accepted Qty | |
| | | | Area A + Area B | Area C |
| |  | $\Phi \leq 0.10$ | Ignored | |
| | | $0.10 < \Phi \leq 0.15$ | 3 | Ignored |
| | | $0.15 < \Phi \leq 0.20$ | 1 | |
| $0.20 < \Phi$ | | 0 | | |
| Note : $\Phi = (x + y) / 2$ | | | | |
| Line Defect (dimming and lighting line) | L (Length) : mm | W (Width) : mm | Area A + Area B | Area C |
| | / | $W \leq 0.03$ | Ignored | |
| | $L \leq 3.0$ | $0.03 < W \leq 0.05$ | 2 | Ignored |
| | $L \leq 2.0$ | $0.05 < W \leq 0.08$ | 1 | |
| | / | $0.08 < W$ | As spot defect | |
| Remarks: The total of spot defect and line defect shall not exceed 4 pcs. | | | | |
| Polarizer Stain | Stain which can be wiped off lightly with a soft cloth or similar cleaning is accepted, otherwise, according to the Spot Defect and the Line Defect. | | | |
| Polarizer Scratch | 1. If scratch can be seen during operation, according to the criterions of the Spot Defect and the Line Defect. | | | |
| | 2. If scratch can be seen only under non-operation or some special angle, the criterion is as below : | | | |
| | L (Length) : mm | W (Width) : mm | Area A + Area B | Area C |
| | / | $W \leq 0.03$ | Ignore | |
| | $5.0 < L \leq 10.0$ | $0.03 < W \leq 0.05$ | 2 | Ignore |
| | $L \leq 5.0$ | $0.05 < W \leq 0.08$ | 1 | |
| / | $0.08 < W$ | 0 | | |
| Polarizer Air Bubble | Size | | Area A + Area B | Area C |
| |  | $\Phi \leq 0.20$ | Ignored | |
| | | $0.20 < \Phi \leq 0.50$ | 2 | Ignored |
| | | $0.50 < \Phi \leq 0.80$ | 1 | |
| | | $0.80 < \Phi$ | 0 | |

| | | | | | | | |
|---|--|--------------|------------|--------------|----------|----------|----------|
| Glass Defect (Glass Chipped) | <p>1. On the corner</p>  <p style="text-align: right;">(mm)</p> <table border="1" style="margin-left: auto;"> <tr> <td>x</td> <td>≤ 2.0</td> </tr> <tr> <td>y</td> <td>$\leq S$</td> </tr> <tr> <td>z</td> <td>$\leq t$</td> </tr> </table> | x | ≤ 2.0 | y | $\leq S$ | z | $\leq t$ |
| | x | ≤ 2.0 | | | | | |
| | y | $\leq S$ | | | | | |
| | z | $\leq t$ | | | | | |
| <p>2. On the bonding edge</p>  <p style="text-align: right;">(mm)</p> <table border="1" style="margin-left: auto;"> <tr> <td>x</td> <td>$\leq a / 2$</td> </tr> <tr> <td>y</td> <td>$\leq s / 3$</td> </tr> <tr> <td>z</td> <td>$\leq t$</td> </tr> </table> | x | $\leq a / 2$ | y | $\leq s / 3$ | z | $\leq t$ | |
| x | $\leq a / 2$ | | | | | | |
| y | $\leq s / 3$ | | | | | | |
| z | $\leq t$ | | | | | | |
| <p>3. On the other edges</p>  <p style="text-align: right;">(mm)</p> <table border="1" style="margin-left: auto;"> <tr> <td>x</td> <td>$\leq a / 5$</td> </tr> <tr> <td>y</td> <td>≤ 1.0</td> </tr> <tr> <td>z</td> <td>$\leq t$</td> </tr> </table> | x | $\leq a / 5$ | y | ≤ 1.0 | z | $\leq t$ | |
| x | $\leq a / 5$ | | | | | | |
| y | ≤ 1.0 | | | | | | |
| z | $\leq t$ | | | | | | |
| <p>Note: t: glass thickness ; s: pad width ; a: the length of the edge</p> | | | | | | | |
| TCP Defect | Crack, deep fold and deep pressure mark on the TCP are not accepted | | | | | | |
| Pixel Size | The tolerance of display pixel dimension should be within $\pm 20\%$ of the spec | | | | | | |
| Luminance | Refer to the spec or the reference sample | | | | | | |
| Color | Refer to the spec or the reference sample | | | | | | |

■ CAUTIONS IN USING OLED MODULE**◆ Precautions For Handling OLED Module:**

1. OLED module consists of glass and polarizer. Pay attention to the following items when handling:
 - i. Avoid drop from high, avoid excessive impact and pressure.
 - ii. Do not touch, push or rub the exposed polarizers with anything harder than an HB pencil lead.
 - iii. If the surface becomes dirty, breathe on the surface and gently wipe it off with a soft dry cloth. If it is terrible dirty, moisten the soft cloth with Isopropyl alcohol or Ethyl alcohol. Other solvents may damage the polarizer. Especially water, Ketone and Aromatic solvents.
 - iv. Wipe off saliva or water drops immediately, contact the polarizer with water over a long period of time may cause deformation.
 - v. Please keep the temperature within specified range for use and storage. Polarization degradation, bubble generation or polarizer peeling-off may occur with high temperature and high humidity.
 - vi. Condensation on the surface and the terminals due to cold or anything will damage, stain or dirty the polarizer, so make it clean as the way of iii.
2. Do not attempt to disassemble or process the OLED Module.
3. Make sure the TCP or the FPC of the Module is free of twisting, warping and distortion, do not pull or bend them forcefully, especially the soldering pins. On the other side, the SLIT part of the TCP is made to bend in the necessary case.
4. When assembling the module into other equipment, give the glass enough space to avoid excessive pressure on the glass, especially the glass cover which is much more fragile.
5. Be sure to keep the air pressure under 120 kPa, otherwise the glass cover is to be cracked.
6. Be careful to prevent damage by static electricity:
 - i. Be sure to ground the body when handling the OLED Modules.
 - ii. All machines and tools required for assembling, such as soldering irons, must be properly grounded.
 - iii. Do not assemble and do no other work under dry conditions to reduce the amount of static electricity generated. A relative humidity of 50%-60% is recommended.
 - iv. Peel off the protective film slowly to avoid the amount of static electricity generated.
 - v. Avoid to touch the circuit, the soldering pins and the IC on the Module by the body.
 - vi. Be sure to use anti-static package.
7. Contamination on terminals can cause an electrochemical reaction and corrode the terminal circuit, so make it clean anytime.
8. All terminals should be open, do not attach any conductor or semiconductor on the terminals.
9. When the logic circuit power is off, do not apply the input signals.
10. Power on sequence: $V_{DD} \rightarrow V_{PP}$, and power off sequence: $V_{PP} \rightarrow V_{DD}$.
11. Be sure to keep temperature, humidity and voltage within the ranges of the spec, otherwise shorten Module's life time, even make it damaged.
12. Be sure to drive the OLED Module following the Specification and datasheet of IC controller, otherwise something wrong may be seen.

13. When displaying images, keep them rolling, and avoid one fixed image displaying more than 30 seconds, otherwise the residue image is to be seen. This is the speciality of OLED.

◆ **Precautions For Soldering OLED Module:**

1. Soldering temperature : $260^{\circ}\text{C} \pm 10^{\circ}\text{C}$.
2. Soldering time : 3-4 sec.
3. Repeating time : no more than 3 times.
4. If soldering flux is used, be sure to remove any remaining flux after finishing soldering operation. (This does not apply in the case of a non-halogen type of flux.) It is recommended to protect the surface with a cover during soldering to prevent any damage due to flux spatters.

◆ **Precautions For Storing OLED Module:**

1. Be sure to store the OLED Module in the vacuum bag with dessicant.
2. If the Module can not be used up in 1 month after the bag being opened, make sure to seal the Module in the vacuum bag with dessicant again.
3. Store the Module in a dark place, do not expose to sunlight or fluorescent light.
4. The polarizer surface should not touch any other objects. It is recommended to store the Module in the shipping container.
5. It is recommended to keep the temperature between 0°C and 30°C , the relative humidity not over 60%.

◆ **Limited Warranty**

Unless relevant quality agreements signed with customer and law enforcement, for a period of 12 months from date of production, all products (except automotive products) TRULY will replace or repair any of its OLED modules which are found to be functional defect when inspected in accordance with TRULY OLED acceptance standards (copies available upon request). Cosmetic/visual defects must be returned to TRULY within 90 days of shipment. Confirmation of such date should be based on freight documents. The warranty liability of TRULY is limited to repair and/or replacement on the terms above. TRULY will not be responsible for any subsequent or consequential events.

◆ **Return OLED Module Under Warranty:**

1. No warranty in the case that the precautions are disregarded.
2. Module repairs will be invoiced to the customer upon mutual agreement. Modules must be returned with sufficient description of the failures or defects.

◆ **PRIOR CONSULT MATTER**

1. For TRULY standard products ,we keep the right to change material ,process ... for improving the product property without any notice on our customer.
2. If you have special requirement about reliability condition, please let us know before you start the test on our samples.